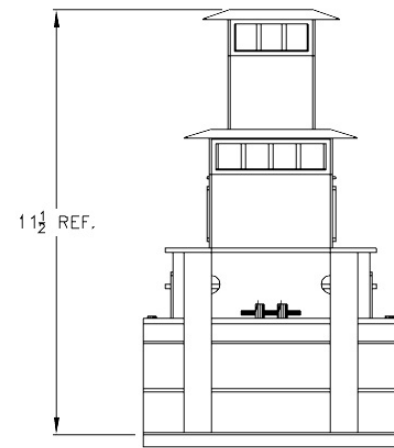
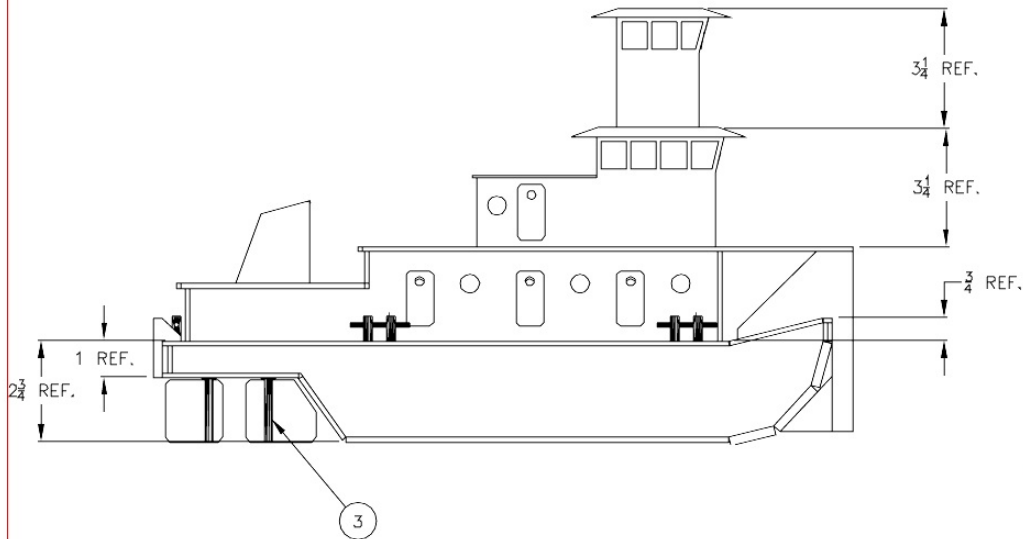
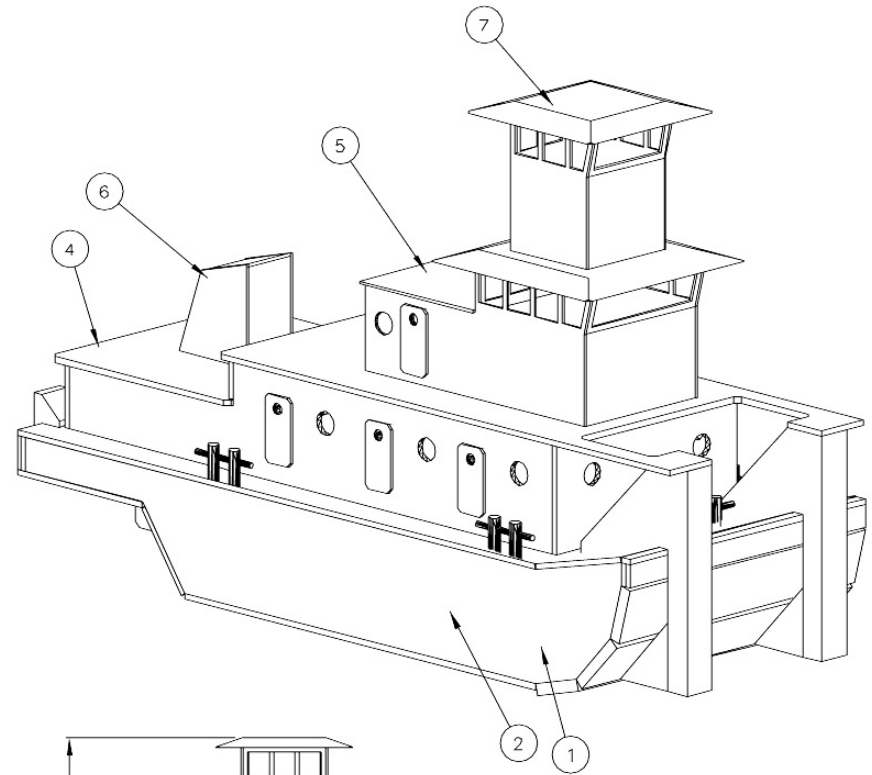
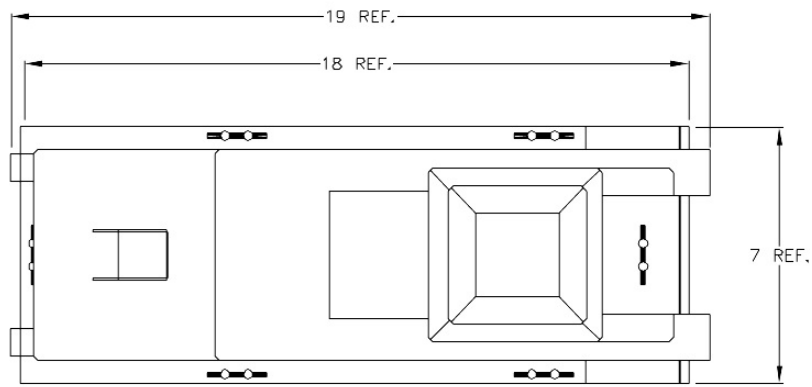
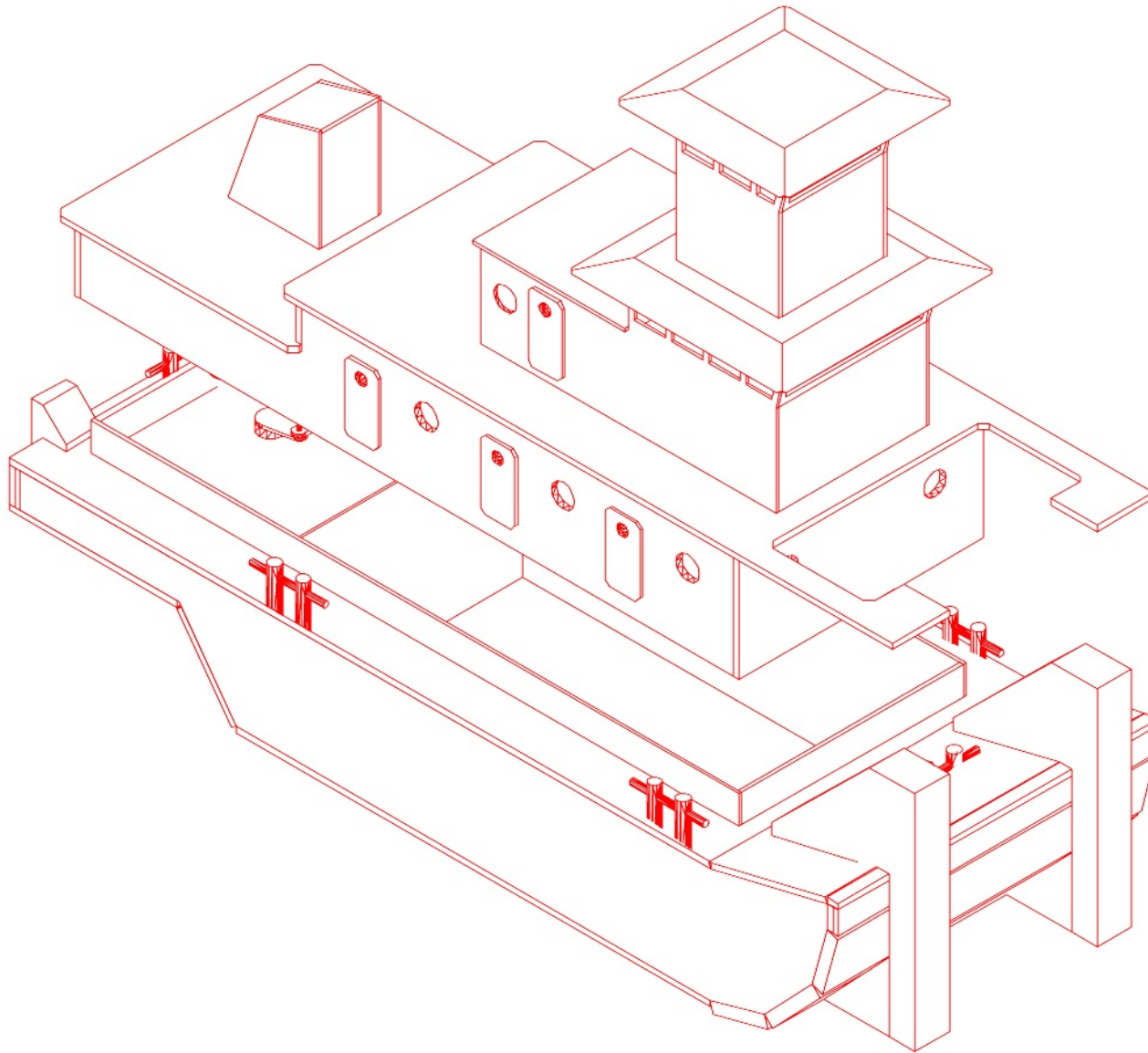


Item Number	Qty	Drawing Number	Description	Mat'l	Dims
		PT4-001-00	3 Star River Tow Boat M. IV	See BOM	
1		002-00	Hull Assembly		
10	2	002-01	Side	1/16 Plywood	1/16 x 2 - 1/2 x 17-3/4
11	1	002-02	Foam Core	Styrofoam	
12	2	002-03	Bow Brace 1	1/8 Balsa	1/8 x 1/2 x 7
13	1	002-04	Bow Brace Plate	1/8 Balsa Wood	1/8 x 1/4 x 7
14	4	002-05	Bow Plate	1/8 Balsa Wood	1/8 x 1 - 1/4 x 7
15	2	002-06	Bow Plate	1/8 Balsa Wood	1/8 x 1 - 1/2 x 7
16	1	002-07	Bow Deck	1/8 Balsa	1/8 x 2 - 5/8 x 7
17	1	002-08	Main Deck	1/8 Balsa	1/8 x 7 x 15 - 7/16
18	1	002-09	Bottom Plate	1/8 Balsa	1/8 x 7 x 10 - 1/2
19	1	002-10	Stern Plate	1/8 Balsa	1/8 x 2 - 1/16 x 7
20	1	002-11	Stern Base Plate	1/8 Balsa	1/8 x 3 - 3/4 x 7
21	2	002-12	Stern Brace 1	1/8 Balsa	1/8 x 3/4 x 7
22	2	002-13	Bow Knee	3/4 Balsa Wood	3/4 x 3 - 1/8 x 5
23	2	002-14	Bow Knee Brace	3/4 Balsa Wood	3/4 x 1 - 1/2 x 1 - 1/2
24	2	002-15	Stern Knee	3/4 Balsa Wood	3/4 x 3/4 x 1 - 5/8
2		003-00	Electronics Box Assembly		
25	2	003-01	Side	1/16 Plywood or Bass Wood	1/16 x 3 x 14 - 3/8
26	2	003-02	Front / Back	1/16 Plywood or Bass Wood	1/16 x 3 x 4 - 7/8
27	1	003-03	Rear Brace	1/8 Plywood or Bass Wood	1/8 x 5/8 x 4 - 7/8
28	1	003-04	Bottom	1/16 Plywood or Bass Wood	1/16 x 4 - 7/8 x 9 - 3/4
3		004-00	Rudder Assembly		
29	1	004-01	Rudder, Main	1/8 Plywood or Brass	1/8 x 1 - 9/16 x 1 - 11/16
30	2	004-02	Rudder, Flanking	1/8 Plywood or Brass	1/8 x 1 - 11/16 x 1 - 15/16
31	3	004-03	Rudder Post	1/4 O.D. Brass Tubing or Round Stock	1/4 O.D. x 3 - 1/2
32	3	004-04	Rudder Tube	1/4 I. D. x 1/16 Wall Brass Tube	1/4 I.D. x 1 - 1/4
33	3	004-05	Pin	1/16 Dia Roll Pin	1/16 Dia. x 3/16
34	3	004-06	Collar	1/4 I. D. Set Collar	Du-Bro Cat. # 244
35	3	004-07	Rudder Post Cap	1/16 Brass	1/16 x 1/2 x 1
36	1	004-08	Pivot Bar	1/16 Brass	1/16 x 2 - 3/4 x 1/4
37	1	004-09	Cross Bar	1/16 Brass	1/16 x 1 - 1/2 x 1/4
4		005-00	Main Cabin Assembly		
38	2	005-01	Side	1/8 Bass Wood or Plywood	1/8 x 2 - 1/2 x 14 - 3/8
39	1	005-02	Front	1/8 Bass Wood or Plywood	1/8 x 2 - 1/2 x 5 - 3/8
40	1	005-03	Stern, Lower	1/8 Bass Wood or Plywood	1/8 x 1 - 1/2 x 5 - 3/8
41	1	005-04	Roof, Stern	1/8 Bass Wood or Plywood	1/8 x 5 - 1/4 x 5 - 3/4
42	1	005-05	Roof	1/8 Bass Wood or Plywood	1/8 x 5 - 3/4 x 13 - 1/2
43	1	005-06	Stern, Upper	1/8 Bass Wood or Plywood	1/8 x 5 - 3/4 x 13 - 1/2

Item Number	Qty	Drawing Number	Description	Mat'l	Dims
5		006-00	Lower Pilot House Assembly		
44	2	006-01	Side	1/16 Plywood or Bass Wood	1/16 x 6 - 1/2 x 3
45	1	006-02	Lower Front	1/16 Plywood or Bass Wood	1/16 x 2 x 3 - 1/4
46	1	006-03	Upper Front	1/16 Plywood or Bass Wood	1/16 x 1 x 3 - 1/4
47	1	006-04	Lower Rear	1/16 Plywood or Bass Wood	1/16 x 1 - 7/8 x 3 - 1/4
48	1	006-05	Upper Rear	1/16 Plywood or Bass Wood	1/16 x 1 - 1/8 x 3 - 1/4
49	1	006-06	Stern Roof	1/8 Bass Wood	1/8 x 3 - 3/8 x 3 - 1/2
50	1	006-07	Main Roof	1 Balsa Wood	1/4 x 4 - 3/4 x 4 - 3/4
6		007-00	Smoke Stack Assembly		
51	2	007-01	Side	1/16 Plywood or Bass Wood	1/16 x 2 x 2 -1/4
52	1	007-02	Front	1/16 Plywood or Bass Wood	1/16 x 1 - 1/4 x 2 - 3/16
53	1	007-03	Rear	1/16 Plywood or Bass Wood	1/16 x 1 - 1/4 x 2
54	1	007-04	Top	1/16 Plywood or Bass Wood	1/16 x 1 - 1/4 x 1 - 3/8
7		008-00	Upper Pilot House Assembly		
55	2	008-01	Side	1/16 Plywood or Bass Wood	1/16 x 2 - 1/2 x 3
56	1	008-02	Lower Front	1/16 Plywood or Bass Wood	1/16 x 2 - 1/4 x 2
57	1	008-03	Upper Front	1/16 Plywood or Bass Wood	1/16 x 2 - 1/4 x 1
58	1	008-04	Rear	1/16 Plywood or Bass Wood	1/16 x 2 - 1/2 x 3
59	1	008-05	Roof	1 Balsa Wood	1/4 x 3 - 3/4 x 3 - 3/4
		009 - Misc			
			"T" Bits		
56	6	009-01	Cross Bar	1/8 Dia Dowel	1/8" Dia. x 1-5/8
57	12	009-02	Post	1/4 Dia Dowel	1/4" Dia. x 1-7/8
58	8	009-03	Doors	1/16 Plywood or Bass Wood	1/16 x 3/4 x 1-1/2

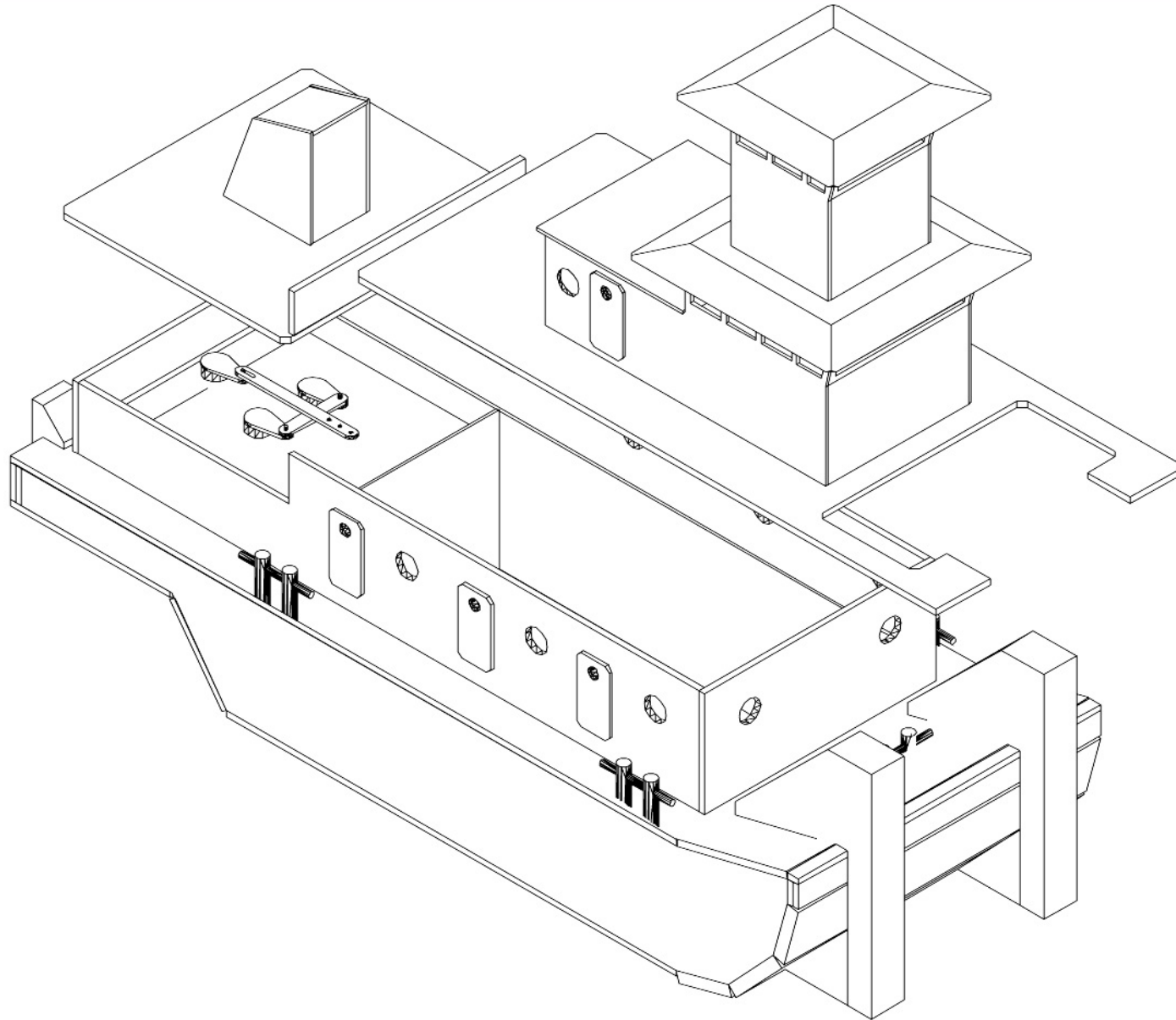


TOLERANCES UNLESS NOTED:		-- NOTICE --		QTY/UNIT 1	REV	ECO#	REVISIONS		DRAWN BY	DATE	APPROVED
ANGULAR: ± 2'		TO ALL PERSONS RECEIVING THIS DRAWING THIS DRAWING CONTAINS CONFIDENTIAL AND PROPRIETARY INFORMATION AND IS ISSUED IN CONFIDENCE ON THE CONDITION THAT IT BE RETURNED ON DEMAND AND NOT BE COPIED, REPRODUCED, DISCLOSED TO OTHERS OR USED WITHOUT WRITTEN CONSENT.		MATERIAL		SHAPE		TITLE			
LINEAR:				DIM A		DIM B		3 STAR RTB Mk. IV 7'			
1 PLACE DECIMAL ± 1/8				DIM C		LENGTH		ADD FINISH		UNIT	
2 PLACE DECIMAL ± 1/16				HEAT TREAT		DATE		PART NO		3 STAR RTB	
3 PLACE DECIMAL ± 1/32				DATE		SCALE		PT4-001		SIZE	
✓ = 125 μ				DATE		NTS		C		SHEET 1 OF 3	
INCHES DO NOT SCALE MM SCALE BREAK OR CHAMFER EDGES AND CORNERS 1/64-1/32 UNLESS SPEC.				DATE		DATE		DATE		REV	
				DATE		DATE		DATE		A	

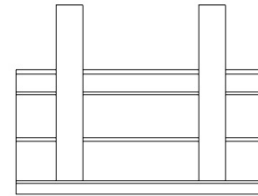
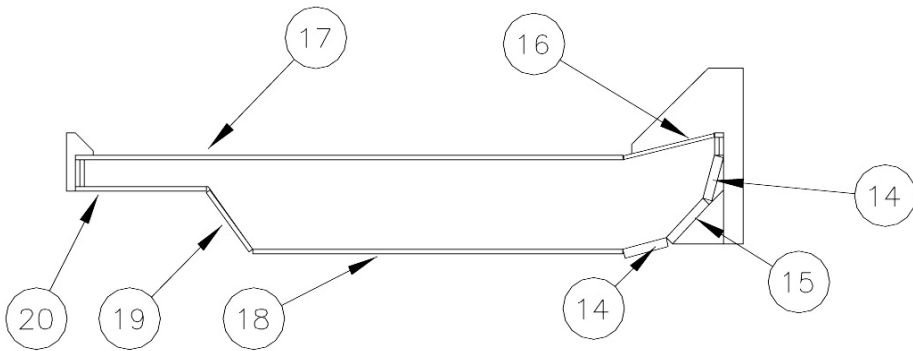
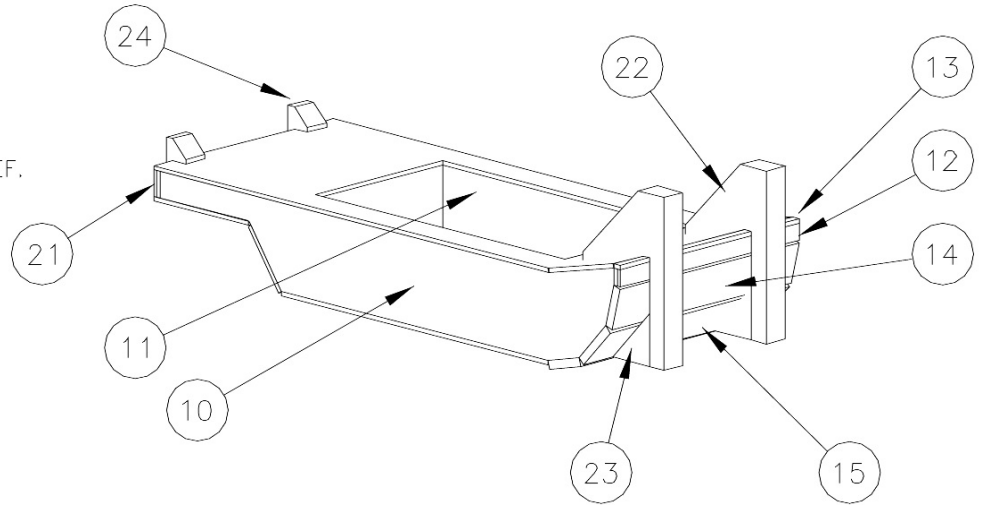
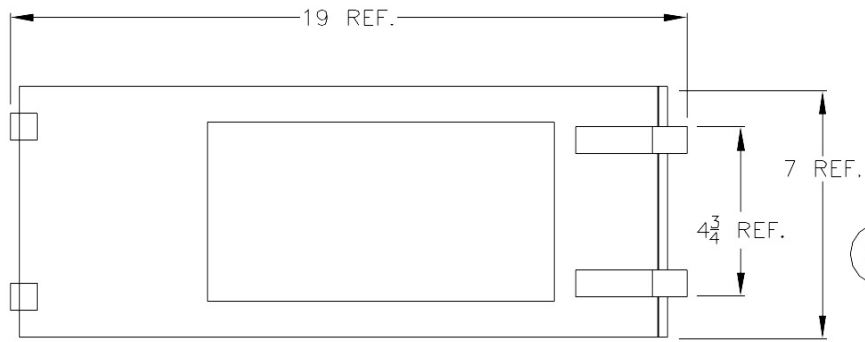


<b>TOLERANCES UNLESS NOTED:</b> ANGULAR: $\pm 2^\circ$ LINEAR: 1 PLACE DECIMAL $\pm 1/8$ 2 PLACE DECIMAL $\pm 1/16$ 3 PLACE DECIMAL $\pm 1/32$ ✓ = 125 $\mu$		<b>NOTICE -</b> TO ALL PERSONS RECEIVING THIS DRAWING THIS DRAWING CONTAINS CONFIDENTIAL AND PROPRIETARY INFORMATION AND IS ISSUED IN CONFIDENCE ON THE CONDITION THAT IT BE RETURNED ON DEMAND AND NOT BE COPIED, REPRODUCED, DISCLOSED TO OTHERS OR USED WITHOUT WRITTEN CONSENT.		QTY/UNIT 1 REV ECO#	REVISIONS DRAWN BY DATE APPROVED
MAT'L SEE BOM SHAPE DIM A DIM B DIM C LENGTH HEAT TREAT		TITLE <b>3 STAR RTB Mk. IV-A</b>		UNIT <b>3 STAR RTB</b>	
ADD FINISH		PART NO. <b>PT4-DD1</b>		DET / DES MER CKD	
INCHES DO NOT SCALE MM BREAK OR CHAMFER EDGES AND CORNERS 1/64-1/32 UNLESS SPEC.		DATE 09/01/08 DATE		SCALE 1/1 SIZE C SHEET 2 of 3	

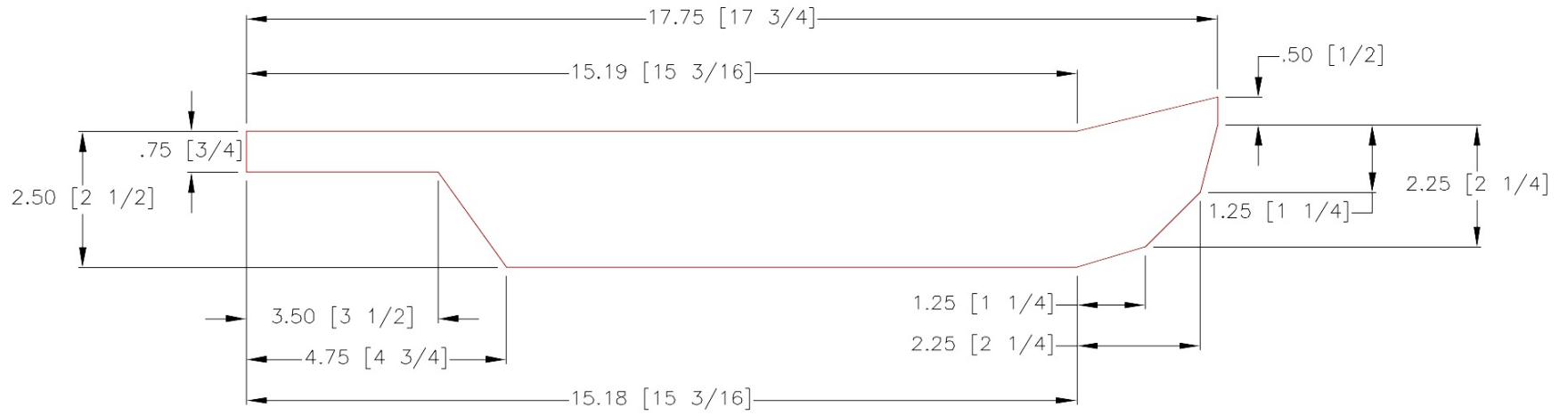




<b>TOLERANCES UNLESS NOTED</b> ANGULAR: ± 2° LINEAR: 1 PLACE DECIMAL ± 1/8 2 PLACE DECIMAL ± 1/16 3 PLACE DECIMAL ± 1/32 ✓ - 125 μ		- NOTICE - TO ALL PERSONS RECEIVING THIS DRAWING THIS DRAWING CONTAINS CONFIDENTIAL AND PROPRIETARY INFORMATION AND IS ISSUED IN CONFIDENCE ON THE CONDITION THAT IT BE RETURNED ON DEMAND AND NOT BE COPIED, REPRODUCED, DISCLOSED TO OTHERS OR USED WITHOUT WRITTEN CONSENT		QTY/UNIT 1 REV ECO#	MAT'L SEE BOM SHAPE DIM A DIM B DIM C LENGTH HEAT TREAT	REVISIONS DRAWN BY DATE APPROVED	TITLE <b>3 STAR RTB          Mk. IV-B</b>	UNIT <b>3 STAR RTB</b> PART NO. <b>PT4-001</b>	DEL/DES- MER Ckd. DATE SCALE <b>1/1</b> SIZE <b>C</b> SHEET <b>3</b> OF <b>3</b>	REV
--	--	--	--	---------------------------	---	---	--	---	---	-----

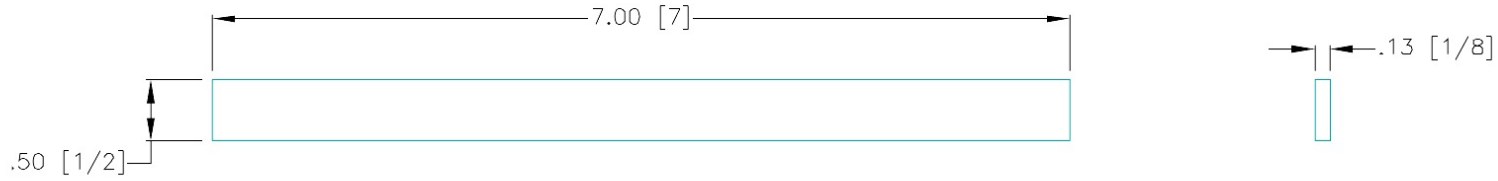


TOLERANCES UNLESS NOTED:		- NOTICE - TO ALL PERSONS RECEIVING THIS DRAWING			QTY/UNIT 1	REV	ECO#	REVISIONS	DRAWN BY	DATE	APPROVED		
ANGULAR: ± 2°		THIS DRAWING CONTAINS CONFIDENTIAL AND PROPRIETARY INFORMATION AND IS ISSUED IN CONFIDENCE ON THE CONDITION THAT IT BE RETURNED ON DEMAND AND NOT BE COPIED, REPRODUCED, DISCLOSED TO OTHERS OR USED WITHOUT WRITTEN CONSENT.			MAT'L SEE BOM		TITLE ASSEMBLY, HULL						
LINEAR:					SHAPE		ADD FINISH		UNIT 3S RTB MK. IV				
1 PLACE DECIMAL ± 1/32					DIM A				PART NO. 002-00				
2 PLACE DECIMAL ± .01					DIM B				HEAT TREAT				
3 PLACE DECIMAL ± .005		DIM C				DATE 08/15/08		SCALE 1/1		SIZE B SHEET 1 OF 1			
✓ = 125 v		LENGTH				DATE				REV			
INCHES DO NOT SCALE MM		BREAK OR CHAMFER EDGES AND CORNERS 1/64-1/32 UNLESS SPEC.											

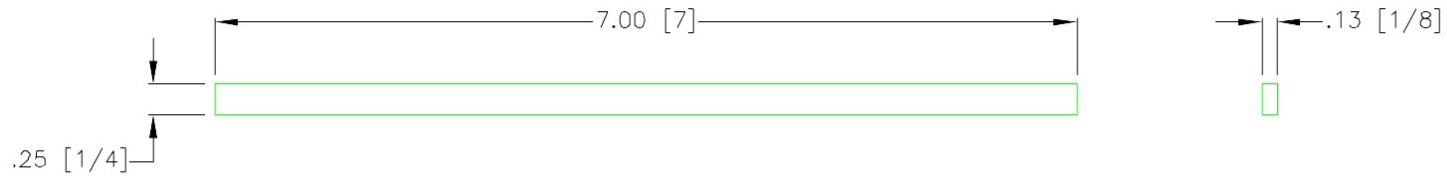


TOLERANCES UNLESS NOTED:		- NOTICE - TO ALL PERSONS RECEIVING THIS DRAWING THIS DRAWING CONTAINS CONFIDENTIAL AND PROPRIETARY INFORMATION AND IS ISSUED IN CONFIDENCE ON THE CONDITION THAT IT BE RETURNED ON DEMAND AND NOT BE COPIED, REPRODUCED, DISCLOSED TO OTHERS OR USED WITHOUT WRITTEN CONSENT.			QTY/UNIT 2	REV	ECO#	REVISIONS	DRAWN BY	DATE	APPROVED
ANGULAR:	± 2'				MAT'L	1/16	PLYWOOD	TITLE	SIDE PLATE HULL		
LINEAR:					SHAPE						
1 PLACE DECIMAL	± 1/8				DIM A	1/16	ADD FINISH	UNIT	ITEM #10		
2 PLACE DECIMAL	± 1/16				DIM B	3 - 1/8	PART NO.	002-01			
3 PLACE DECIMAL	± .005				DIM C	17 - 3/4	LENGTH				
✓	= 125 v	HEAT TREAT			DET./DES. MER	DATE 08/20/08	SCALE	1/2	SIZE	B	SHEET 1 OF 1
⊙ □	INCHES MM	DO NOT SCALE		DATE							
BREAK OR CHAMFER EDGES AND CORNERS 1/64-1/32 UNLESS SPEC.					REV						

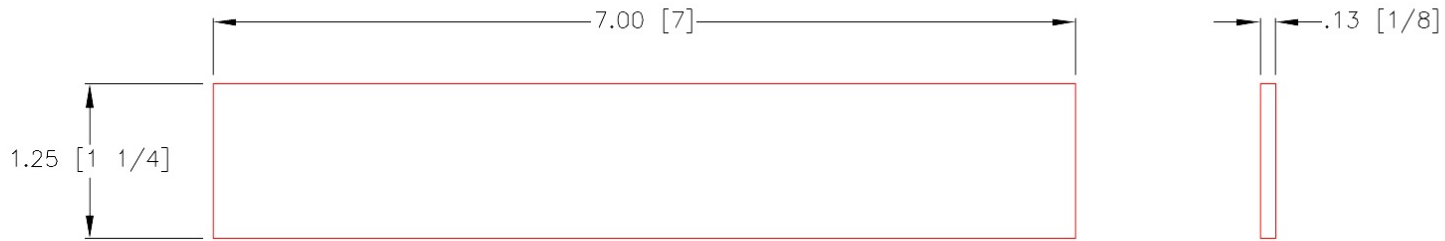
Path: C:\Users\jrdhales\Documents\1\FILES\PARTS\REPAIRS\HULL\HULL.PLT 25/08/2008 10:42:01 AM 08/20/08 08:57:05



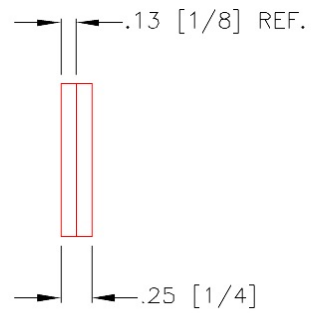
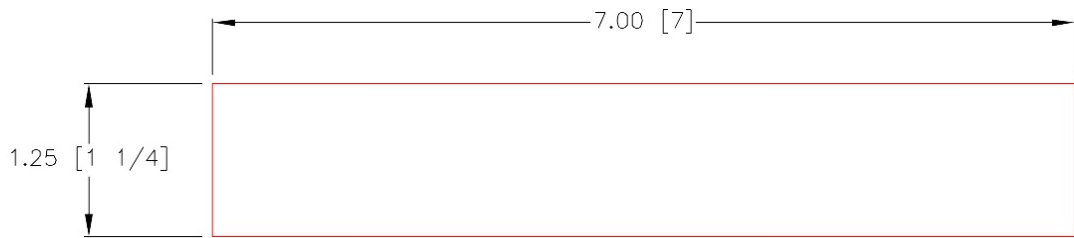
TOLERANCES UNLESS NOTED:		- NOTICE - TO ALL PERSONS RECEIVING THIS DRAWING			QTY/UNIT 2	REV	ECO#	REVISIONS	DRAWN BY	DATE	APPROVED			
ANGULAR:	± 2'	THIS DRAWING CONTAINS CONFIDENTIAL AND PROPRIETARY INFORMATION AND IS ISSUED IN CONFIDENCE ON THE CONDITION THAT IT BE RETURNED ON DEMAND AND NOT BE COPIED, REPRODUCED, DISCLOSED TO OTHERS OR USED WITHOUT WRITTEN CONSENT.	MAT'L	1/8 BASS WOOD	TITLE			BRACE, BOW ASS'Y, HULL						
LINEAR:			SHAPE		ADD FINISH			UNIT ITEM # 12						
1 PLACE DECIMAL	± 1/8		DIM A	1/8	DET./DES. MER			DATE	08/26/08	SCALE	PART NO. 002-03			
2 PLACE DECIMAL	± 1/16		DIM B	1/2	CKD.			DATE		1/1	SIZE	B	SHEET 1 OF 1	REV
3 PLACE DECIMAL	± .005		DIM C	7	HEAT TREAT									
✓	= 125 μ		LENGTH											
INCHES MM		DO NOT SCALE												
BREAK OR CHAMFER EDGES AND CORNERS 1/64-1/32 UNLESS SPEC.														



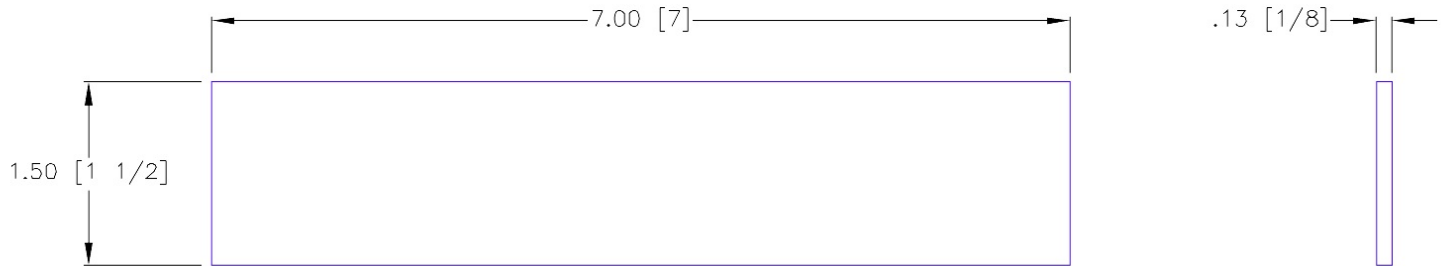
TOLERANCES UNLESS NOTED:		- NOTICE - TO ALL PERSONS RECEIVING THIS DRAWING THIS DRAWING CONTAINS CONFIDENTIAL AND PROPRIETARY INFORMATION AND IS ISSUED IN CONFIDENCE ON THE CONDITION THAT IT BE RETURNED ON DEMAND AND NOT BE COPIED, REPRDUCED, DISCLDSED TO OTHERS OR USED WITHOUT WRITTEN CONSENT.	QTY/UNIT	1	REV	ECO#	REVISIONS	DRAWN BY	DATE	APPROVED
ANGULAR:	± 2'		MAT'L 1/8 BASS WOOD SHAPE DIM A 1/8 DIM B 1/4 DIM C 7 LENGTH HEAT TREAT	TITLE		BRACE, BOW PLATE ASS'Y, HULL		UNIT		ITEM # 13
LINEAR:		ADD FINISH		PART NO.		002-04		REV		
1 PLACE DECIMAL	± 1/8	SCALE		1/1		SIZE		B SHEET 1 OF 1		
2 PLACE DECIMAL	± 1/16	DET./DES.		MER		DATE		08/26/08		
3 PLACE DECIMAL	± .005	DATE		DATE		SCALE		1/1		
✓	= 125 μ	BREAK OR CHAMFER EDGES AND CORNERS 1/64-1/32 UNLESS SPEC.		INCHES		DO NOT		SCALE		
				MM						



TOLERANCES UNLESS NOTED:		-- NOTICE -- TO ALL PERSONS RECEIVING THIS DRAWING		QTY/UNIT 4	REV	ECO#	REVISIONS	DRAWN BY	DATE	APPROVED		
ANGULAR:	± 2'	THIS DRAWING CONTAINS CONFIDENTIAL AND PROPRIETARY INFORMATION AND IS ISSUED IN CONFIDENCE ON THE CONDITION THAT IT BE RETURNED ON DEMAND AND NOT BE COPIED, REPRDDUCED, DISCLOSED TO OTHERS OR USED WITHOUT WRITTEN CONSENT.		MAT'L 1/8	TITLE		BOW PLATE ASS'Y, HULL					
LINEAR:				SHAPE	ADD FINISH		UNIT		ITEM # 14			
1 PLACE DECIMAL	± 1/8			DIM A 1/8	HEAT TREAT		DET./DES. MER	DATE 08/26/08	SCALE	PART NO.		
2 PLACE DECIMAL	± 1/16			DIM B 1 - 1/4			CKD.	DATE	1/1	002-05		
3 PLACE DECIMAL	± .005	DIM C 7					SIZE		SHEET 1 OF 2			
✓	= 125 v	LENGTH					B					
	INCHES MM	DO NOT SCALE										
BREAK OR CHAMFER EDGES AND CORNERS 1/64-1/32 UNLESS SPEC.												

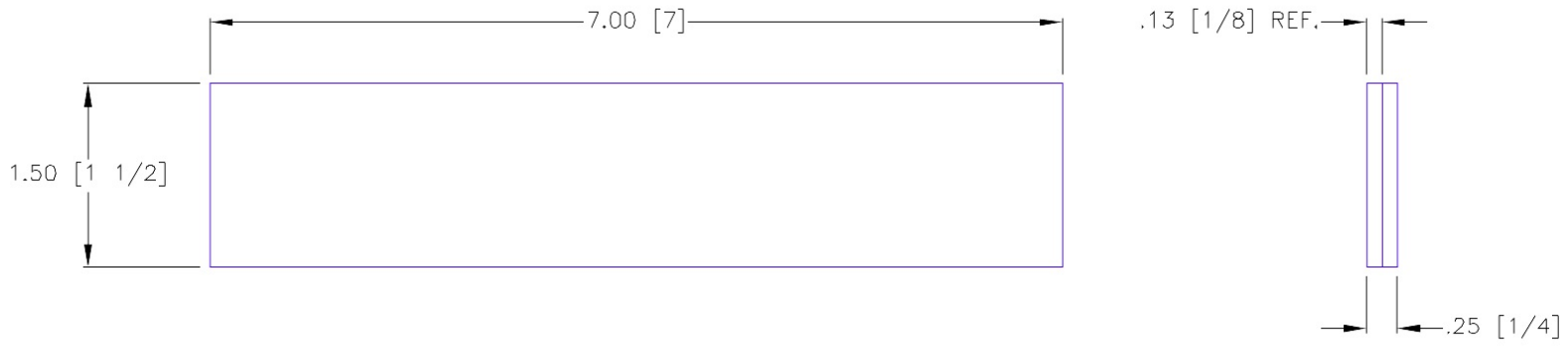


TOLERANCES UNLESS NOTED:		- NOTICE - TO ALL PERSONS RECEIVING THIS DRAWING		QTY/UNIT 2	REV	ECO#	REVISIONS	DRAWN BY	DATE	APPROVED
ANGULAR: ± 2'		THIS DRAWING CONTAINS CONFIDENTIAL AND PROPRIETARY INFORMATION AND IS ISSUED IN CONFIDENCE ON THE CONDITION THAT IT BE RETURNED ON DEMAND AND NOT BE COPIED, REPRODUCED, DISCLOSED TO OTHERS OR USED WITHOUT WRITTEN CONSENT.		MAT'L 1/8		TITLE		ASS'Y, BOW PLATE ASS'Y, HULL		
LINEAR:				SHAPE		ADD FINISH				
1 PLACE DECIMAL ± 1/8				DIM A 1/8		HEAT TREAT		PART NO.		
2 PLACE DECIMAL ± 1/16				DIM B 1 - 1/4		DET./DES. MER		002-05		
3 PLACE DECIMAL ± .005		DIM C 7		DATE 08/26/08		SCALE		SIZE		
✓ = 125 v		LENGTH		DATE		1/1		B SHEET 2 OF 2		
INCHES DO NOT MM SCALE BREAK OR CHAMFER EDGES AND CORNERS 1/64-1/32 UNLESS SPEC.										

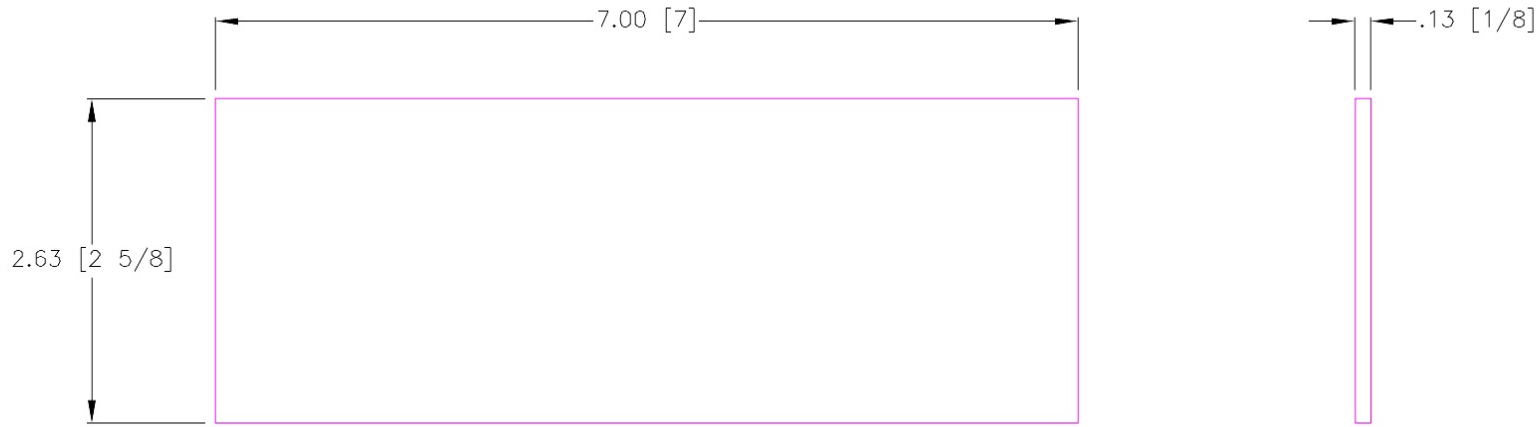


TOLERANCES UNLESS NOTED:		- NOTICE - TO ALL PERSONS RECEIVING THIS DRAWING		QTY/UNIT 2	REV	ECO#	REVISIONS	DRAWN BY	DATE	APPROVED
ANGULAR:	± 2'	THIS DRAWING CONTAINS CONFIDENTIAL AND PROPRIETARY INFORMATION AND IS ISSUED IN CONFIDENCE ON THE CONDITION THAT IT BE RETURNED ON DEMAND AND NOT BE COPIED, REPRODUCED, DISCLOSED TO OTHERS OR USED WITHOUT WRITTEN CONSENT.		MAT'L 1/8 BASS WOOD	TITLE BOW PLATE -2 ASS'Y, HULL					
LINEAR:				SHAPE	ADD FINISH					
1 PLACE DECIMAL	± 1/8			DIM A 1/8	UNIT ITEM # 15					
2 PLACE DECIMAL	± 1/16			DIM B 1 - 1/2	PART NO. 002-06					
3 PLACE DECIMAL	± .005			DIM C 7	SCALE					
✓	= 125 v	LENGTH	HEAT TREAT	DET./DES. MER	DATE 08/26/08	SCALE 1/1	SIZE B	SHEET 1 OF 2		REV
INCHES MM DO NOT SCALE BREAK DR CHAMFER EDGES AND CORNERS 1/64-1/32 UNLESS SPEC.										

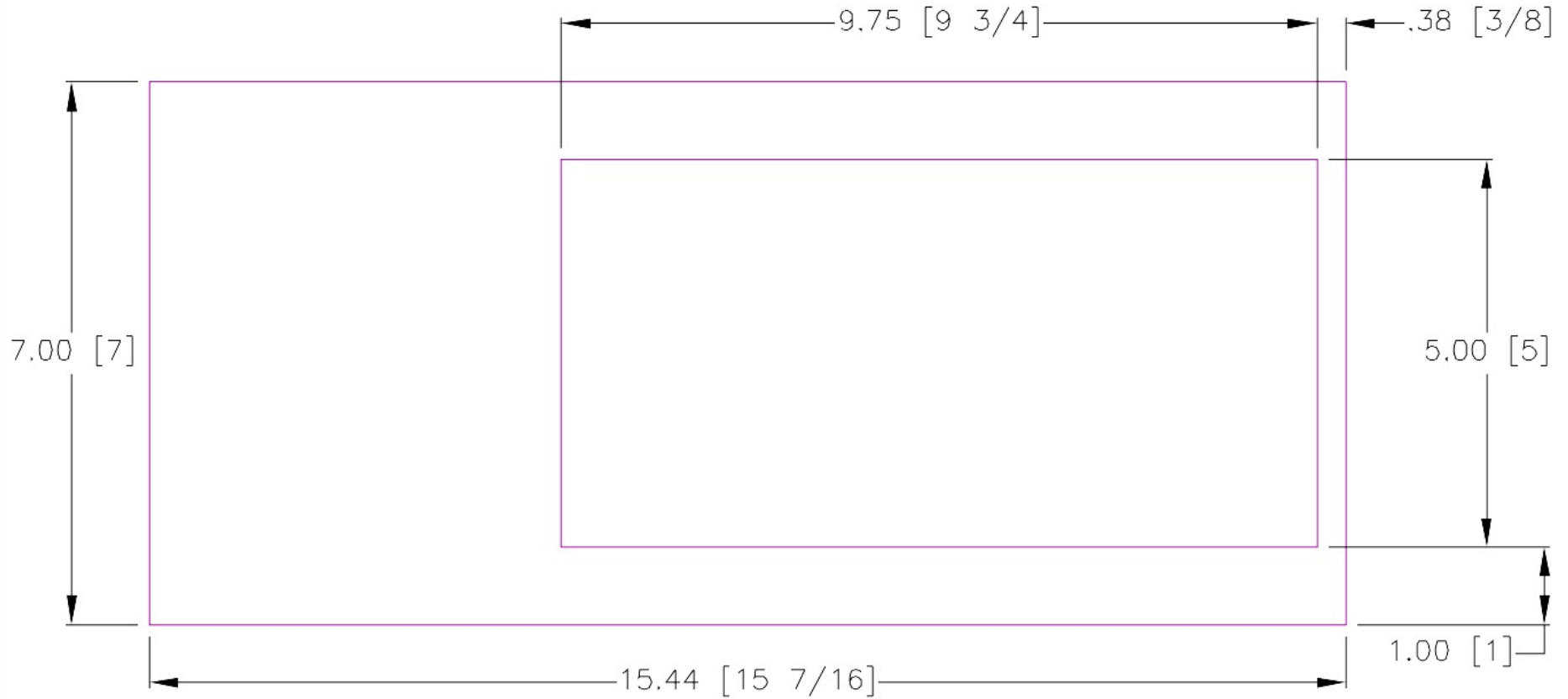




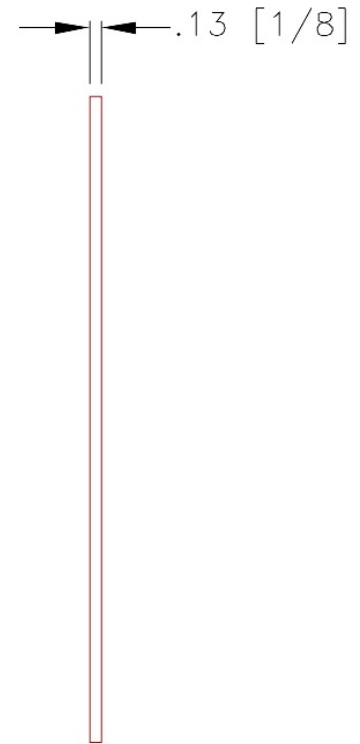
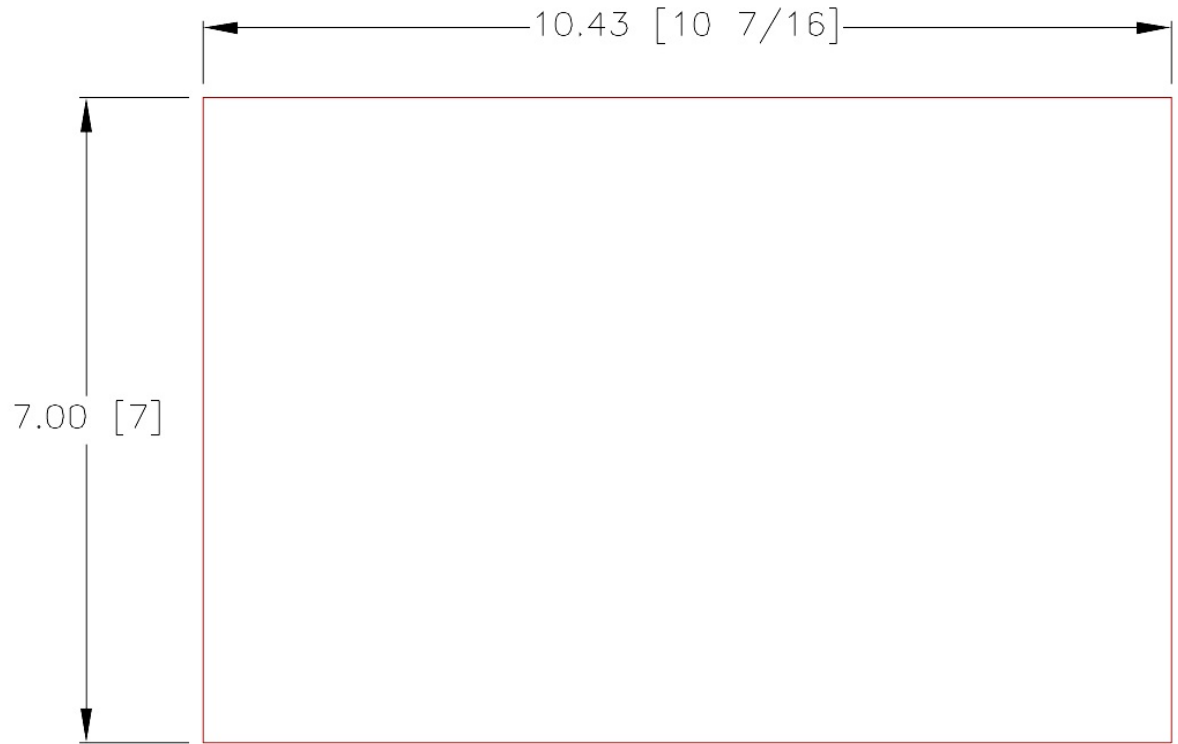
TOLERANCES UNLESS NOTED:		- NOTICE - TO ALL PERSONS RECEIVING THIS DRAWING		QTY/UNIT 1	REV	ECO#	REVISIONS	DRAWN BY	DATE	APPROVED				
ANGULAR: ± 2'		THIS DRAWING CONTAINS CONFIDENTIAL AND PROPRIETARY INFORMATION AND IS ISSUED IN CONFIDENCE ON THE CONDITION THAT IT BE RETURNED ON DEMAND AND NOT BE COPIED, REPRODUCED, DISCLOSED TO OTHERS OR USED WITHOUT WRITTEN CONSENT.		MAT'L 1/8 BASS WOOD		TITLE		ASS'Y, BOW PLATE -2 ASS'Y, HULL						
LINEAR:				SHAPE		ADD FINISH					UNIT			
1 PLACE DECIMAL ± 1/8				DIM A 1/8		HEAT TREAT		DATE		ITEM # 15				
2 PLACE DECIMAL ± 1/16				DIM B 1 - 1/2				08/26/08		PART NO.				
3 PLACE DECIMAL ± .005		DIM C 7				SCALE		002-06						
✓ = 125 v		LENGTH				1/1		SIZE						
		BREAK OR CHAMFER EDGES AND CORNERS 1/64-1/32 UNLESS SPEC.				DATE		B SHEET 2 OF 2						
<table border="1"> <tr> <td>INCHES</td> <td>DO NOT</td> </tr> <tr> <td>MM</td> <td>SCALE</td> </tr> </table>		INCHES	DO NOT	MM	SCALE									
INCHES	DO NOT													
MM	SCALE													



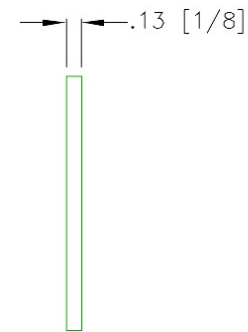
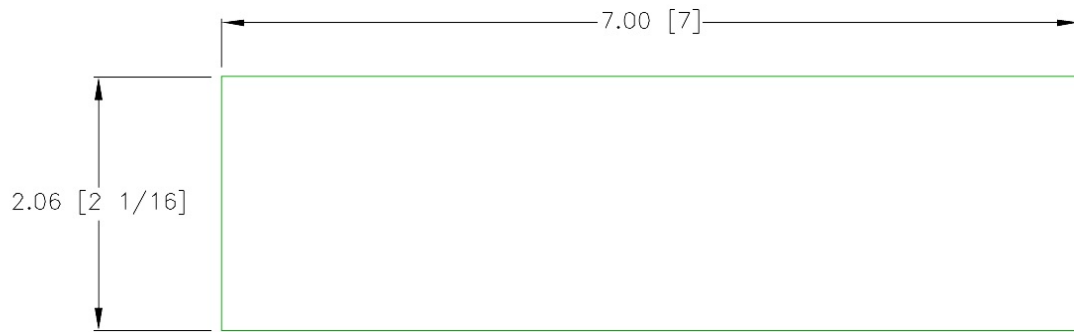
TOLERANCES UNLESS NOTED:		-- NOTICE -- TO ALL PERSONS RECEIVING THIS DRAWING			QTY/UNIT 1	REV	ECO#	REVISIONS	DRAWN BY	DATE	APPROVED
ANGULAR:	± 2'	THIS DRAWING CONTAINS CONFIDENTIAL AND PROPRIETARY INFORMATION AND IS ISSUED IN CONFIDENCE ON THE CONDITION THAT IT BE RETURNED ON DEMAND AND NOT BE COPIED, REPRODUCED, DISCLOSED TO OTHERS OR USED WITHOUT WRITTEN CONSENT.	MAT'L	1/8 BASS WOOD	TITLE		DECK, BOW ASS'Y, HULL				
LINEAR:			SHAPE		ADD FINISH		UNIT		ITEM # 16		
1 PLACE DECIMAL	± 1/8		DIM A	1/8	PART NO.		002-07				
2 PLACE DECIMAL	± 1/16		DIM B	2 - 5/8	SCALE		1/1				
3 PLACE DECIMAL	± .005		DIM C	7	HEAT TREAT		DET./DES. MER		DATE		DATE
✓	= 125 v		LENGTH			08/27/08		SHEET 1 OF 1		REV	
INCHES MM		DO NOT SCALE		BREAK DR CHAMFER EDGES AND CORNERS 1/64-1/32 UNLESS SPEC.		DATE					



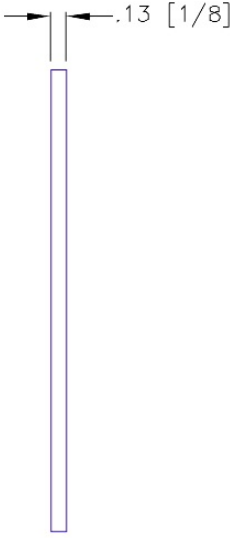
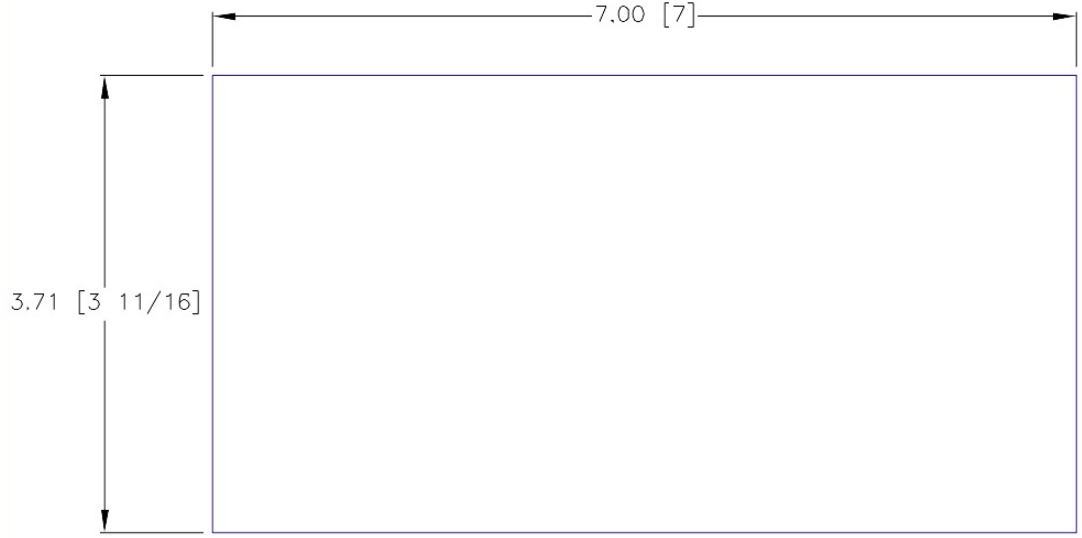
TOLERANCES UNLESS NOTED		- NOTICE - TO ALL PERSONS RECEIVING THIS DRAWING THIS DRAWING CONTAINS CONFIDENTIAL AND PROPRIETARY INFORMATION AND IS ISSUED IN CONFIDENCE ON THE CONDITION THAT IT BE RETURNED ON DEMAND AND NOT BE COPIED, REPRODUCED, DISCLOSED TO OTHERS OR USED WITHOUT WRITTEN CONSENT.	QTY/UNIT	REV	ECO#	REVISIONS		DRWN BY	DATE	APPROVED
ANGULAR	± 2°		MAT'L 1/8 BASS OR BALSALITE SHAPE DIM A 1/8 DIM B 7 DIM C 15 - 7/16 LENGTH HEAT TREAT				DECK, MAIN HULL			
LINEAR:						ADD FINISH	UNIT			
1 PLACE DECIMAL	± 1/8						ITEM # 17			
2 PLACE DECIMAL	± 1/16						PRINT NOS			
3 PLACE DECIMAL	± .005					002-08				
	✓ = 125 μ						SCALE			
							1/1			
							SIZE			
							C			
							SHEET			
							1			
							OF			
							1			



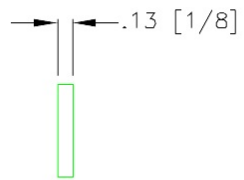
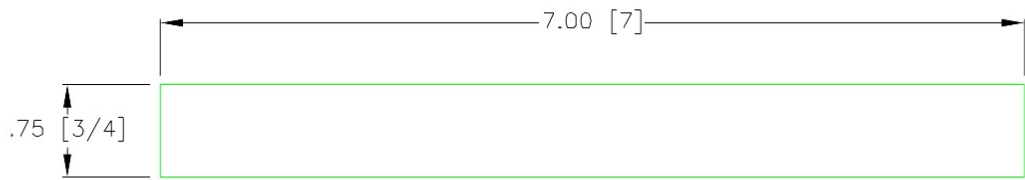
TOLERANCES UNLESS NOTED:		- NOTICE -		QTY/UNIT 1	REV	ECO#	REVISIONS	DRAWN BY	DATE	APPROVED
ANGULAR:	± 2'	TO ALL PERSONS RECEIVING THIS DRAWING THIS DRAWING CONTAINS CONFIDENTIAL AND PROPRIETARY INFORMATION AND IS ISSUED IN CONFIDENCE ON THE CONDITION THAT IT BE RETURNED ON DEMAND AND NOT BE COPIED, REPRODUCED, DISCLOSED TO OTHERS OR USED WITHOUT WRITTEN CONSENT.		MAT'L 1/8 BASS WOOD			TITLE			
LINEAR:				SHAPE			PLATE, BOTTOM ASS'Y, HULL			
1 PLACE DECIMAL	± 1/8			DIM A 1/8			ADD FINISH			
2 PLACE DECIMAL	± 1/16			DIM B 7						
3 PLACE DECIMAL	± .005			DIM C 10 - 1/2						
✓	= 125 μ			LENGTH						
INCHES DO NOT SCALE MM				HEAT TREAT						
BREAK OR CHAMFER EDGES AND CORNERS 1/64-1/32 UNLESS SPEC.							DEL./DES. MER	DATE 08/27/08	SCALE 1/1	UNIT ITEM # 18
							ORD. DATE		SIZE C	PART NO 002-09
									SHEET 1 OF 1	REV



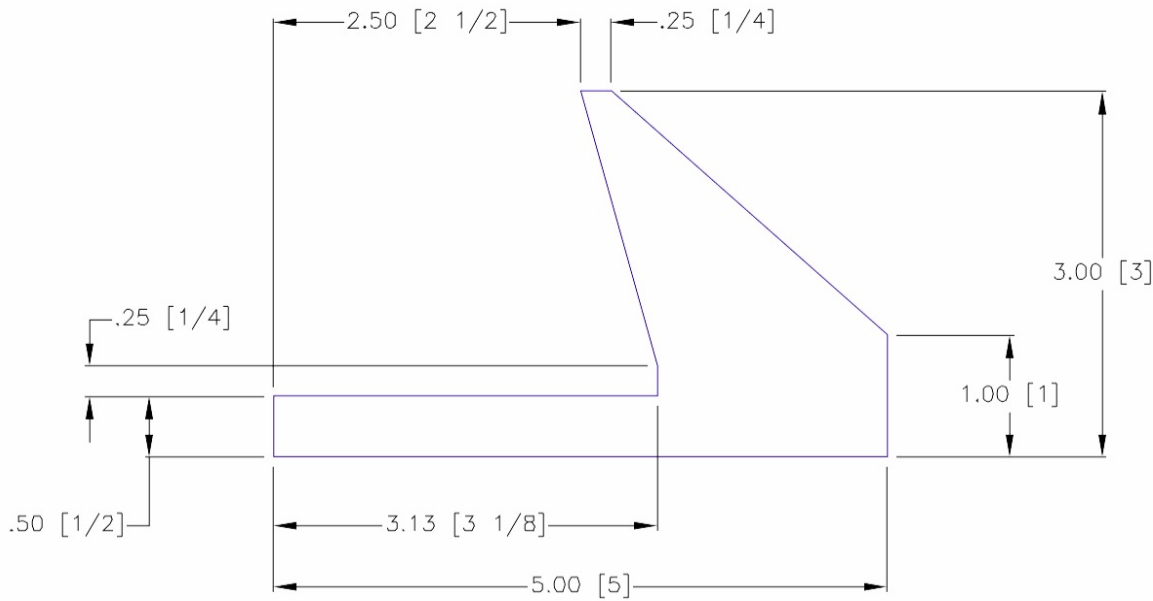
TOLERANCES UNLESS NOTED:		- NOTICE - TO ALL PERSONS RECEIVING THIS DRAWING THIS DRAWING CONTAINS CONFIDENTIAL AND PROPRIETARY INFORMATION AND IS ISSUED IN CONFIDENCE ON THE CONDITION THAT IT BE RETURNED ON DEMAND AND NOT BE COPIED, REPRODUCED, DISCLOSED TO OTHERS OR USED WITHOUT WRITTEN CONSENT.	QTY/UNIT 1	REV	ECO#	REVISIONS	DRAWN BY	DATE	APPROVED
ANGULAR:	± 2'		INCHES MM	MAT'L		TITLE			
LINEAR:		SHAPE 1/8 BASS WOOD		PLATE, STERN ASS'Y, HULL					
1 PLACE DECIMAL	± 1/8	DIM A 1/8		ADD FINISH		UNIT			
2 PLACE DECIMAL	± 1/16	DIM B 2 - 1/16		HEAT TREAT		ITEM # 19			
3 PLACE DECIMAL	± .005	DIM C 7				PART NO.		002-10	
✓	= 125 v	LENGTH				SCALE		REV	
BREAK OR CHAMFER EDGES AND CORNERS 1/64-1/32 UNLESS SPEC.						1/1		SIZE B SHEET 1 OF 1	



TOLERANCES UNLESS NOTED:		- NOTICE - TO ALL PERSONS RECEIVING THIS DRAWING		QTY/UNIT 1	REV	ECO#	REVISIONS		DRAWN BY	DATE	APPROVED
ANGULAR:	± 2'	THIS DRAWING CONTAINS CONFIDENTIAL AND PROPRIETARY INFORMATION AND IS ISSUED IN CONFIDENCE ON THE CONDITION THAT IT BE RETURNED ON DEMAND AND NOT BE COPIED, REPRODUCED, DISCLOSED TO OTHERS OR USED WITHOUT WRITTEN CONSENT.		MAT'L	1/8 BASS WOOD	TITLE		STERN BASE PLATE ASS'Y, HULL			
LINEAR:				SHAPE		ADD FINISH					
1 PLACE DECIMAL	± 1/8			DIM A	1/8			PART NO			
2 PLACE DECIMAL	± 1/16			DIM B	3 - 3/4			002-11			
3 PLACE DECIMAL	± .005	DIM C	7	LENGTH							
✓	= 125 v			HEAT TREAT		DET/DES.	DATE	SCALE			
○ □	INCHES	DO NOT				MER	08/27/08	1/1	SIZE		
BREAK OR	MM	SCALE				CKD.	DATE	B	SHEET	1	OF 1
BREAK OR CHAMFER EDGES AND CORNERS 1/64-1/32 UNLESS SPEC.											



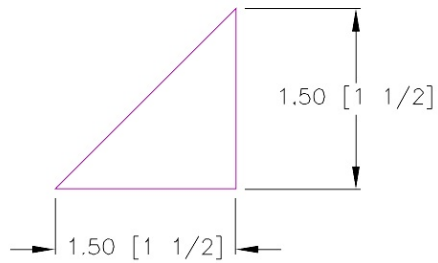
TOLERANCES UNLESS NOTED:		- NOTICE - TO ALL PERSONS RECEIVING THIS DRAWING		QTY/UNIT 2	REV	ECO#	REVISIONS	DRAWN BY	DATE	APPROVED				
ANGULAR:	± 2'	THIS DRAWING CONTAINS CONFIDENTIAL AND PROPRIETARY INFORMATION AND IS ISSUED IN CONFIDENCE ON THE CONDITION THAT IT BE RETURNED ON DEMAND AND NOT BE COPIED, REPRODUCED, DISCLOSED TO OTHERS OR USED WITHOUT WRITTEN CONSENT.		MAT'L 1/8 BASS WOOD	TITLE BRACE, STERN ASS'Y, HULL									
LINEAR:				SHAPE	ADD FINISH									
1 PLACE DECIMAL	± 1/8			DIM A 1/8										
2 PLACE DECIMAL	± 1/16			DIM B 3/4										
3 PLACE DECIMAL	± .005	DIM C 7	LENGTH	UNIT ITEM # 21										
✓	= 125 v	HEAT TREAT		PART NO. 002-12										
	<table border="1"><tr><td>INCHES</td><td>DO NOT</td></tr><tr><td>MM</td><td>SCALE</td></tr></table>	INCHES	DO NOT	MM	SCALE			DET./DES. MER	DATE 08/27/08	SCALE	SIZE B		SHEET 1 OF 1	REV
INCHES	DO NOT													
MM	SCALE													
BREAK OR CHAMFER EDGES AND CORNERS 1/64-1/32 UNLESS SPEC.				CKD.	DATE	1/1								



TOLERANCES UNLESS NOTED:		- NOTICE - TO ALL PERSONS RECEIVING THIS DRAWING		QTY/UNIT 2	REV	ECO#	REVISIONS	DRAWN BY	DATE	APPROVED
ANGULAR: ± 2°		THIS DRAWING CONTAINS CONFIDENTIAL AND PROPRIETARY INFORMATION AND IS ISSUED IN CONFIDENCE ON THE CONDITION THAT IT BE RETURNED ON DEMAND AND NOT BE COPIED, REPRODUCED, DISCLOSED TO OTHERS OR USED WITHOUT WRITTEN CONSENT.		MAT'L 3/4 BALSA		TITLE KNEE, BOW HULL				
LINEAR:				SHAPE		ADD FINISH		UNIT ITEM # 22		
1 PLACE DECIMAL ± 1/8				DIM A 3/4				PART NO. 002-13		
2 PLACE DECIMAL ± 1/16				DIM B						
3 PLACE DECIMAL ± .005				DIM C						
✓ = 125 v				LENGTH						
INCHES DO NOT MM SCALE				HEAT TREAT		DET./DES MER		DATE 08/20/08		SCALE
BREAK OR CHAMFER EDGES AND CORNERS 1/64-1/32 UNLESS SPEC.		17:51:11				CKD.		DATE		SCALE 1/1
								SIZE B		REV
								SHEET 1 OF 1		

Path: C:\USERS\MICHAEL\DDOCUMENTS\MY FILES\EMYC\BOATS\POLOTUGLAYOUTS\POLO TUG 004A\DRAWINGS\002-HULL

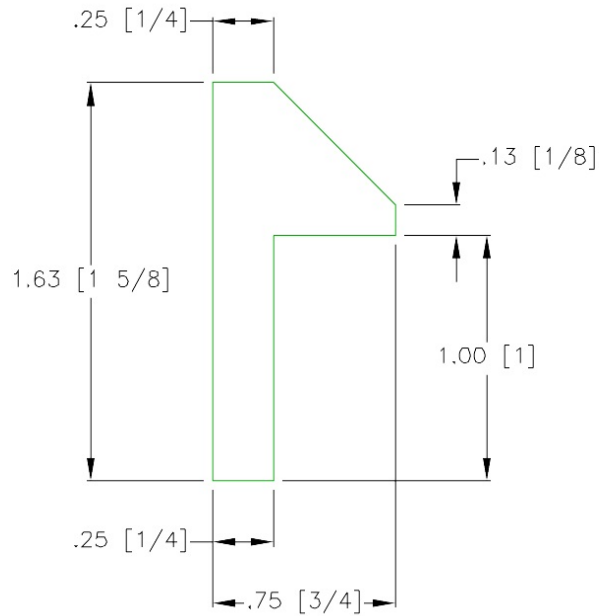




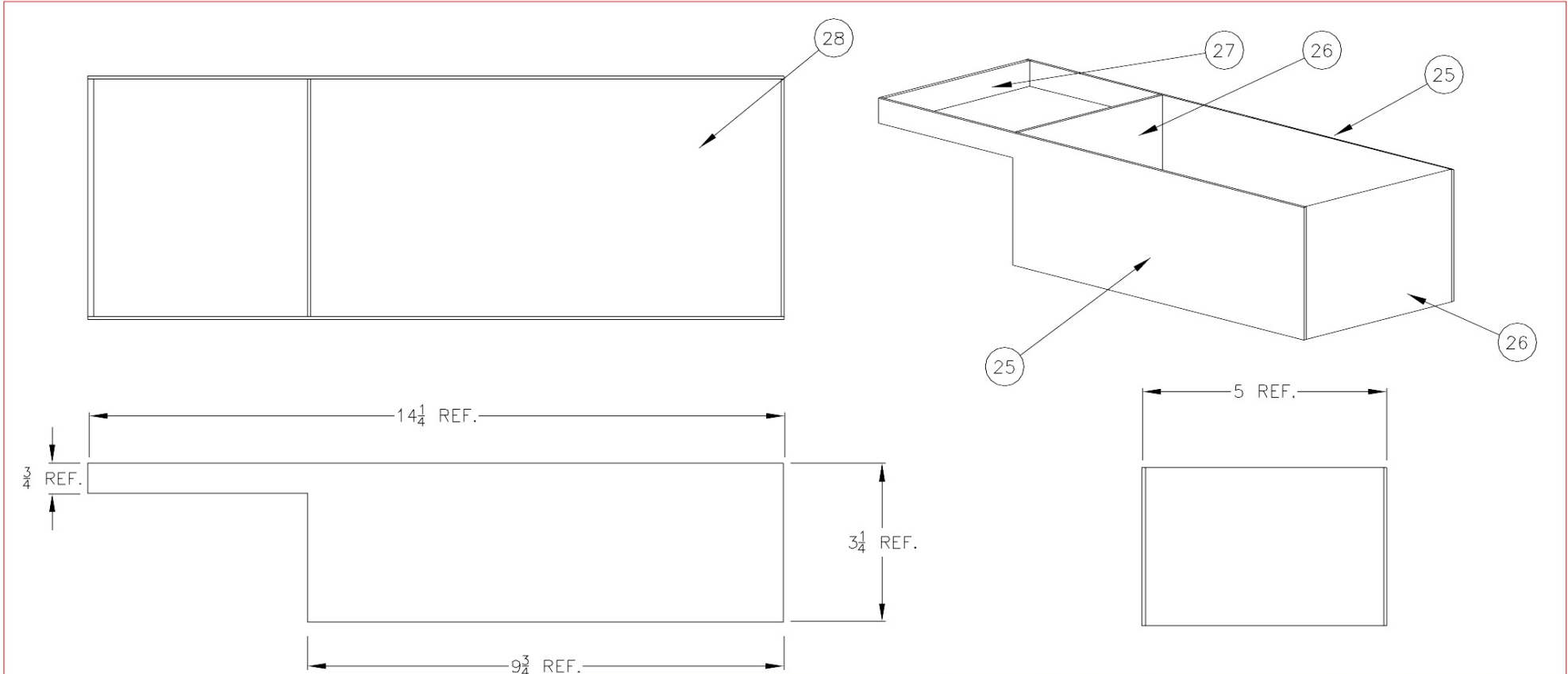
TOLERANCES UNLESS NOTED:		- NOTICE - TO ALL PERSONS RECEIVING THIS DRAWING		QTY/UNIT 2	REV	ECO#	REVISIONS	DRAWN BY	DATE	APPROVED	
ANGULAR: ± 2'		THIS DRAWING CONTAINS CONFIDENTIAL AND PROPRIETARY INFORMATION AND IS ISSUED IN CONFIDENCE ON THE CONDITION THAT IT BE RETURNED ON DEMAND AND NOT BE COPIED, REPRODUCED, DISCLOSED TO OTHERS OR USED WITHOUT WRITTEN CONSENT.		MAT'L 3/4 Balsa		TITLE BRACE, BOW KNEE HULL					
LINEAR:				SHAPE		ADD FINISH		UNIT ITEM # 23			
1 PLACE DECIMAL ± 1/8				DIM A 3/4				PART NO 002-14			
2 PLACE DECIMAL ± 1/16				DIM B 1 - 1/2							
3 PLACE DECIMAL ± .005		DIM C 1 - 1/2		LENGTH		DET./DES. MER		DATE 08/21/08		SCALE	
✓ = 125 v		HEAT TREAT				CKD.		DATE		1/1	
INCHES DO NOT MM SCALE		BREAK, DR. CHAMFER EDGES, AND CORNERS 1/64 - 1/32 UNLESS SPEC.						SIZE B		SHEET 1 OF 1	

Path: C:\USERS\MICHAEL\DOCUMENTS\MY FILES\EMVC\BOATS\POLOTUGLAYOUTS\POLO TUG 004A\DRAWINGS\002-HULL

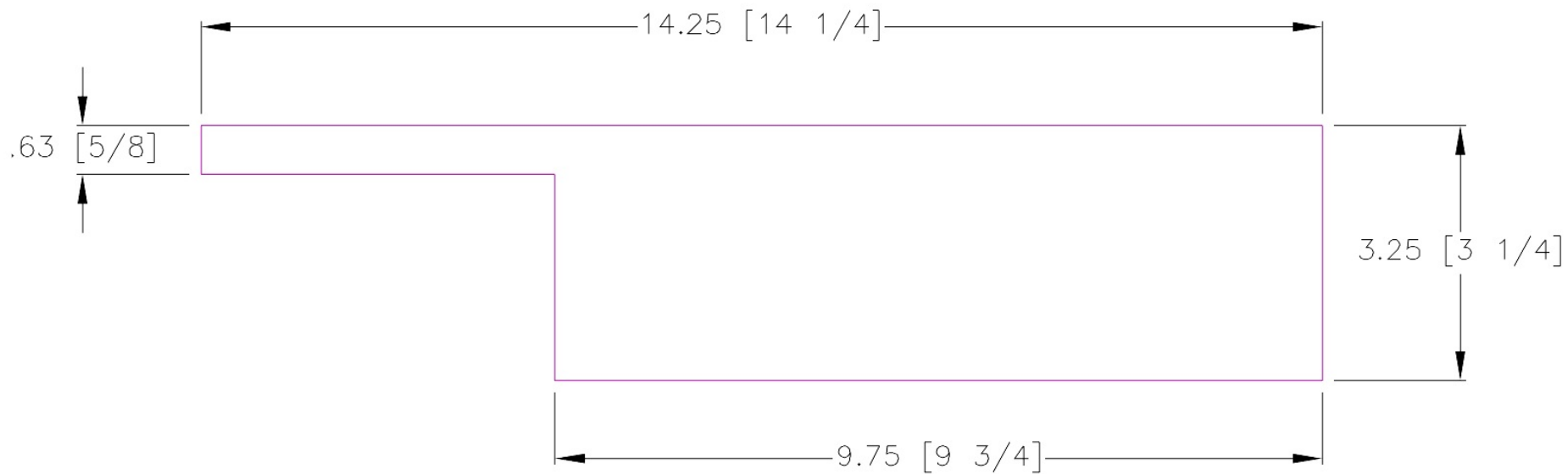
02:56:32



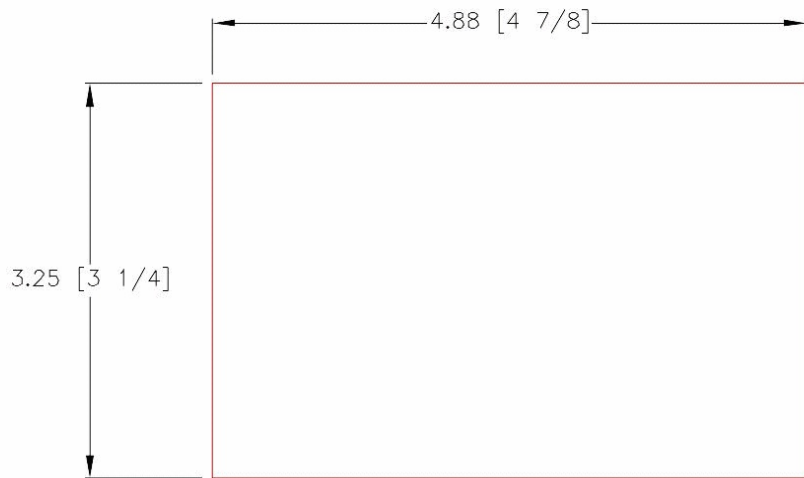
TOLERANCES UNLESS NOTED:		- NOTICE - TO ALL PERSONS RECEIVING THIS DRAWING		QTY/UNIT 2	REV	ECO#	REVISIONS	DRAWN BY	DATE	APPROVED	
ANGULAR: ± 2'		THIS DRAWING CONTAINS CONFIDENTIAL AND PROPRIETARY INFORMATION AND IS ISSUED IN CONFIDENCE ON THE CONDITION THAT IT BE RETURNED ON DEMAND AND NOT BE COPIED, REPRDUCED, DISCLDSED TO OTHERS OR USED WITHOUT WRITTEN CONSENT.		MAT'L 3/4 BALSA		TITLE					
LINEAR:				SHAPE		KNEE, STERN HULL					
1 PLACE DECIMAL ± 1/8				DIM A 3/4		ADD FINISH		UNIT			
2 PLACE DECIMAL ± 1/16				DIM B 3/4		HEAT TREAT		ITEM # 24			
3 PLACE DECIMAL ± .005		DIM C 1 - 5/8				PART NO.					
✓ = 125 v		LENGTH				002-15					
INCHES DO NOT MM SCALE BREAK OR CHAMFER EDGES AND CORNERS 1/64-1/32 UNLESS SPEC.				DET./DES. DATE MER 08/21/08 CKD. DATE		SCALE		SIZE		REV	
						1/1		B SHEET 1 OF 1			



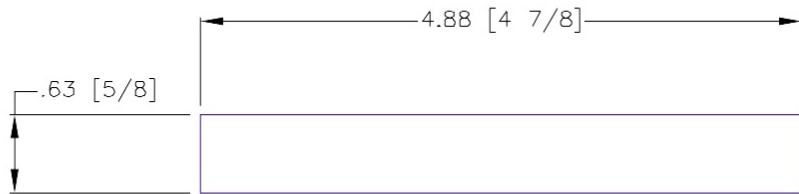
TOLERANCES UNLESS NOTED:		<p align="center">- NOTICE - TO ALL PERSONS RECEIVING THIS DRAWING THIS DRAWING CONTAINS CONFIDENTIAL AND PROPRIETARY INFORMATION AND IS ISSUED IN CONFIDENCE ON THE CONDITION THAT IT BE RETURNED ON DEMAND AND NOT BE COPIED, REPRODUCED, DISCLOSED TO OTHERS OR USED WITHOUT WRITTEN CONSENT.</p>	QTY/UNIT 1	REV	ECO#	REVISIONS	DRAWN BY	DATE	APPROVED
ANGULAR:	± 2'		MAT'L SEE BOM		TITLE		ASSEMBLY ELECTRONICS BOX		
LINER:			SHAPE		ADD FINISH		UNIT		
1 PLACE DECIMAL	± 1/32		DIM A		3S RTB MK. IV		PART NO.		
2 PLACE DECIMAL	± .01	DIM B		HEAT TREAT		003-00			
3 PLACE DECIMAL	± .005	DIM C		SCALE		SIZE			
✓	= 125 v	LENGTH		1/1		B SHEET 1 OF 1			
	INCHES MM	DO NOT SCALE	DET./DES. MER		DATE 08/15/08		REV		
BREAK OR CHAMFER EDGES AND CORNERS 1/64-1/32 UNLESS SPEC.				DATE					



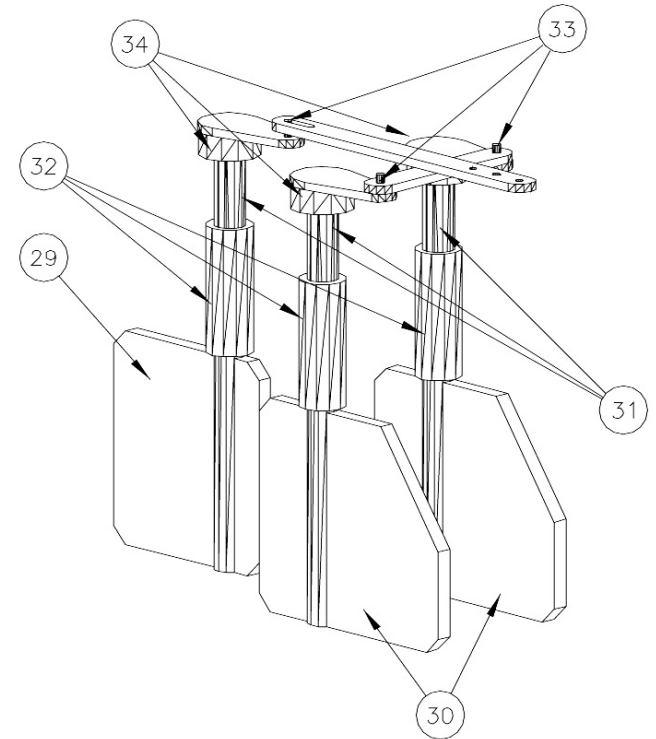
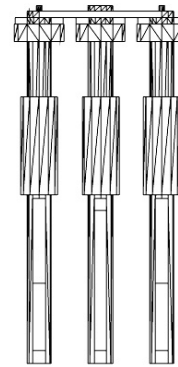
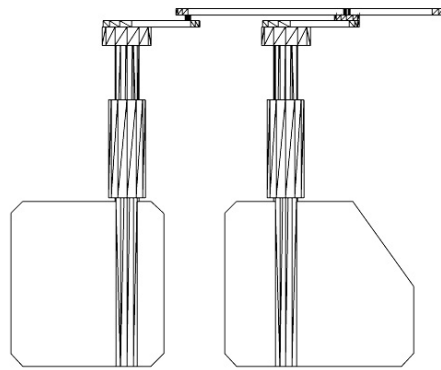
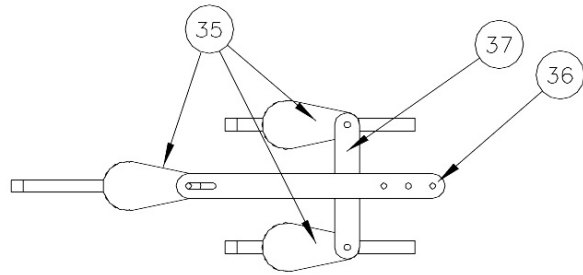
TOLERANCES UNLESS NOTED.		- NOTICE -		QTY/UNIT 2	REV	ECOM	REVISIONS		DRAWN BY	DATE	APPROVED
ANGULAR:	± 2'	TO ALL PERSONS		MAT'L 1/16 PLYWOOD			TITLE				
LINEAR		RECEIVING THIS DRAWING		SHAPE			SIDE ELECT. BOX				
1 PLACE DECIMAL	± 1/8	THIS DRAWING CONTAINS		DIM A 1/16			ADD FINISH				
2 PLACE DECIMAL	± 1/16	CONFIDENTIAL AND PROPRIETARY		DIM B 3 - 1/4			UNIT				
3 PLACE DECIMAL	± .005	INFORMATION AND IS ISSUED		DIM C 14 - 1/4			ITEM # 25				
	= 125 μ	IN CONFIDENCE ON THE		LENGTH			PART NO				
		CONDITION THAT IT BE		HEAT TREAT			003-01				
		RETURNED ON DEMAND AND					SCALE				
		NOT BE COPIED, REPRODUCED,					1/1				
		DISCLOSED TO OTHERS OR					SIZE				
		USED WITHOUT WRITTEN CONSENT.					C				
		BREAK OR CHAMFER EDGES AND					SHEET 1 of 1				
		CORNERS 1/64-1/32 UNLESS SPEC.					REV				



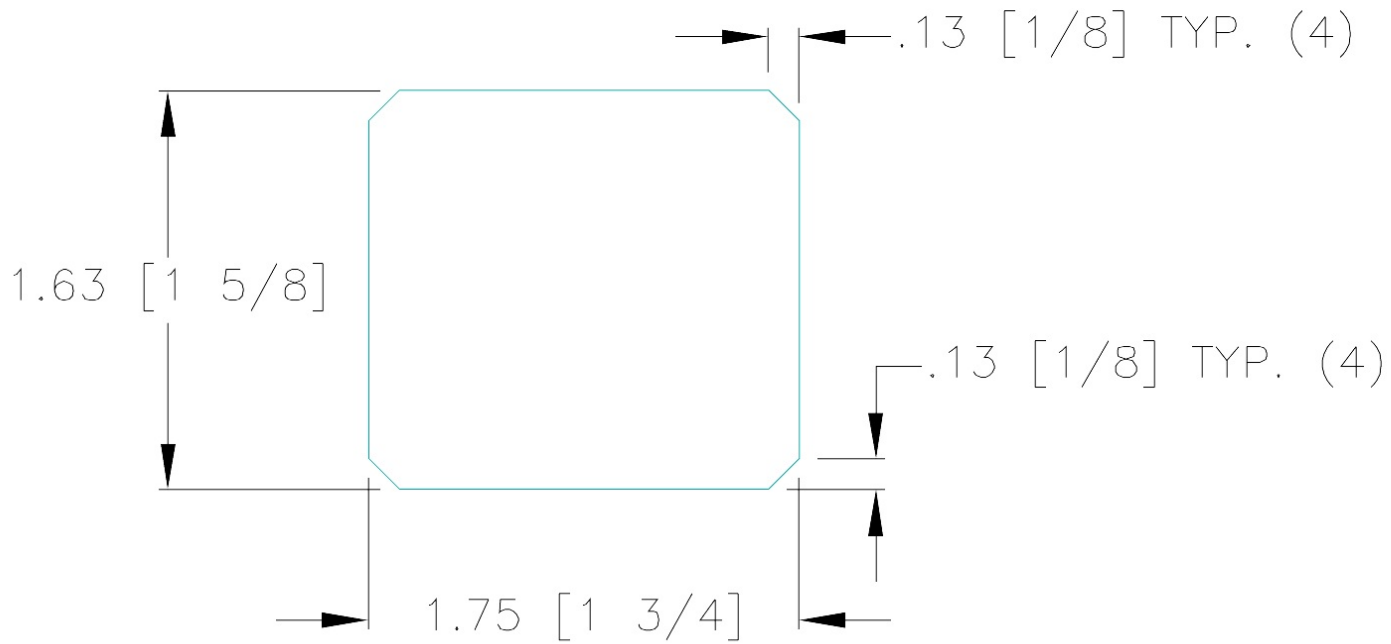
TOLERANCES UNLESS NOTED:		- NOTICE - TO ALL PERSONS RECEIVING THIS DRAWING		QTY/UNIT	REV	ECO#	REVISIONS	DRAWN BY	DATE	APPROVED
ANGULAR:	± 2'	THIS DRAWING CONTAINS CONFIDENTIAL AND PROPRIETARY INFORMATION AND IS ISSUED IN CONFIDENCE ON THE CONDITION THAT IT BE RETURNED ON DEMAND AND NOT BE COPIED, REPRODUCED, DISCLOSED TO OTHERS OR USED WITHOUT WRITTEN CONSENT.		MAT'L	1/16	PLYWOOD	TITLE PLATE, FRONT/BACK ASS'Y, ELECT. BOX			
LINEAR:				SHAPE						
1 PLACE DECIMAL	± 1/8			DIM A	1/16					
2 PLACE DECIMAL	± 1/16			DIM B	3					
3 PLACE DECIMAL	± .005	DIM C	4 - 7/8							
✓	= 125 v			LENGTH			ADD FINISH	UNIT ITEM # 26		
⊙	INCHES	DO NOT		HEAT TREAT				PART NO. 003-02		
□	MM	SCALE					DET./DES. MER	DATE 08/26/08	SCALE	
BREAK OR CHAMFER EDGES AND CORNERS 1/64-1/32 UNLESS SPEC.							CKD.	DATE	1/1	SIZE B
										SHEET 1 OF 1



TOLERANCES UNLESS NOTED:		- NOTICE - TO ALL PERSONS RECEIVING THIS DRAWING		QTY/UNIT 1	REV	ECO#	REVISIONS		DRAWN BY	DATE	APPROVED
ANGULAR:	± 2°	THIS DRAWING CONTAINS CONFIDENTIAL AND PROPRIETARY INFORMATION AND IS ISSUED IN CONFIDENCE ON THE CONDITION THAT IT BE RETURNED ON DEMAND AND NOT BE COPIED, REPRODUCED, DISCLOSED TO OTHERS OR USED WITHOUT WRITTEN CONSENT.		MAT'L 1/8 BASS WOOD	TITLE		REAR BRACE ASS'Y, ELECT. BOX				
LINEAR:				SHAPE	ADD FINISH		UNIT	ITEM # 27			
1 PLACE DECIMAL	± 1/8			DIM A 1/8			PART NO.	003-03			
2 PLACE DECIMAL	± 1/16			DIM B 5/8							
3 PLACE DECIMAL	± .005	DIM C 4 - 7/8			HEAT TREAT		SCALE				
✓	= 125 √	LENGTH			DET./DES. MER	DATE 08/26/08	SCALE	SIZE			REV
INCHES DO NOT MM SCALE		BREAK OR CHAMFER EDGES AND CORNERS 1/64- 1/32 UNLESS SPEC.				CKD.	DATE	1/1	B	SHEET 1 OF 1	

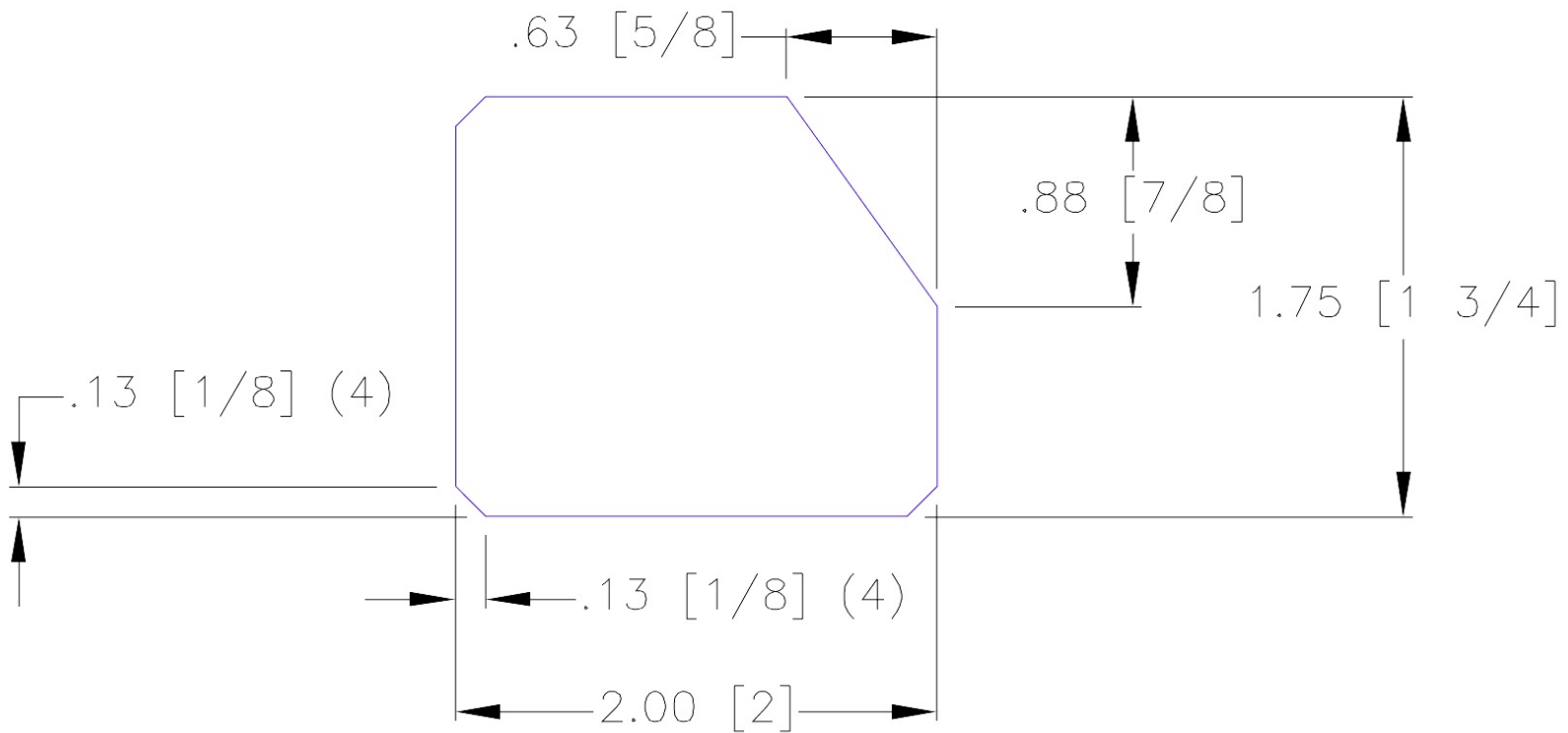


TOLERANCES UNLESS NOTED:		- NOTICE - TO ALL PERSONS RECEIVING THIS DRAWING		QTY/UNIT 1	REV	ECO#	REVISIONS	DRAWN BY	DATE	APPROVED	
ANGULAR:	± 2'	THIS DRAWING CONTAINS CONFIDENTIAL AND PROPRIETARY INFORMATION AND IS ISSUED IN CONFIDENCE ON THE CONDITION THAT IT BE RETURNED ON DEMAND AND NOT BE COPIED, REPRODUCED, DISCLOSED TO OTHERS OR USED WITHOUT WRITTEN CONSENT.		MAT'L SEE BOM		TITLE ASSEMBLY, RUDDER					
LINEAR:				SHAPE	ADD FINISH		UNIT 3S RTB MK. IV				
1 PLACE DECIMAL	± 1/32			DIM A	PART NO. 004-00		SCALE				
2 PLACE DECIMAL	± .01			DIM B	HEAT TREAT		SCALE				
3 PLACE DECIMAL	± .005	DIM C			SCALE						
✓	= 125 v	LENGTH			SCALE						
	INCHES MM	DO NOT SCALE			DET./DES. MER		DATE 08/16/08				
BREAK OR CHAMFER EDGES AND CORNERS 1/64-1/32 UNLESS SPEC.					CKD.		DATE		SCALE 1/1		
							SIZE B		SHEET 1 OF 1		
									REV		

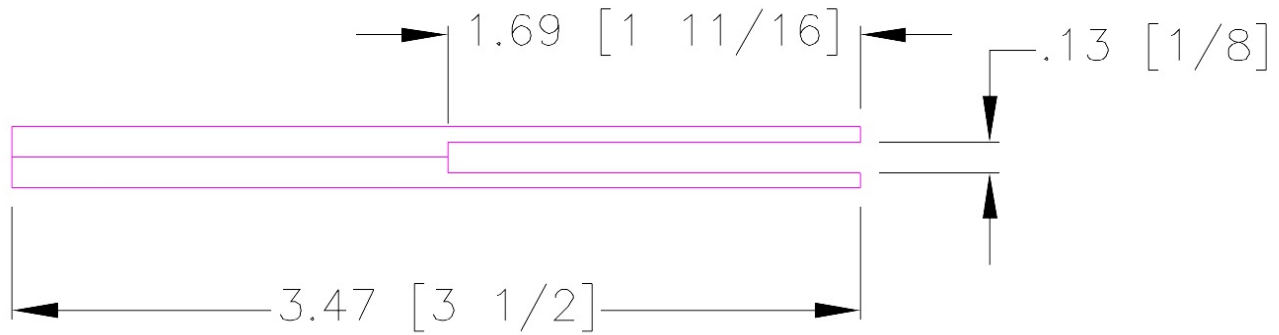


TOLERANCES UNLESS NOTED:		- NOTICE - TO ALL PERSONS RECEIVING THIS DRAWING		QTY/UNIT 1	REV	ECO#	REVISIONS	DRAWN BY	DATE	APPROVED	
ANGULAR: ± 2°		THIS DRAWING CONTAINS CONFIDENTIAL AND PROPRIETARY INFORMATION AND IS ISSUED IN CONFIDENCE ON THE CONDITION THAT IT BE RETURNED ON DEMAND AND NOT BE COPIED, REPRODUCED, DISCLOSED TO OTHERS OR USED WITHOUT WRITTEN CONSENT.		MAT'L 1/8 PLYWOOD		TITLE					
LINEAR:				SHAPE		RUDDER, MAIN ASS'Y, RUDDER					
1 PLACE DECIMAL ± 1/8				DIM A 1/8		ADD FINISH		UNIT			
2 PLACE DECIMAL ± 1/16				DIM B 1 - 5/8		FIBERGLASS		PART NO.			
3 PLACE DECIMAL ± .005				DIM C 1 - 3/4		LENGTH		004-01			
✓ = 125 v		HEAT TREAT		DET./DES. MER		DATE 08/22/08		SCALE		REV	
INCHES DO NOT MM SCALE		BREAK OR CHAMFER EDGES AND CORNERS 1/64-1/32 UNLESS SPEC.				1/1		SIZE B		SHEET 1 OF 1	

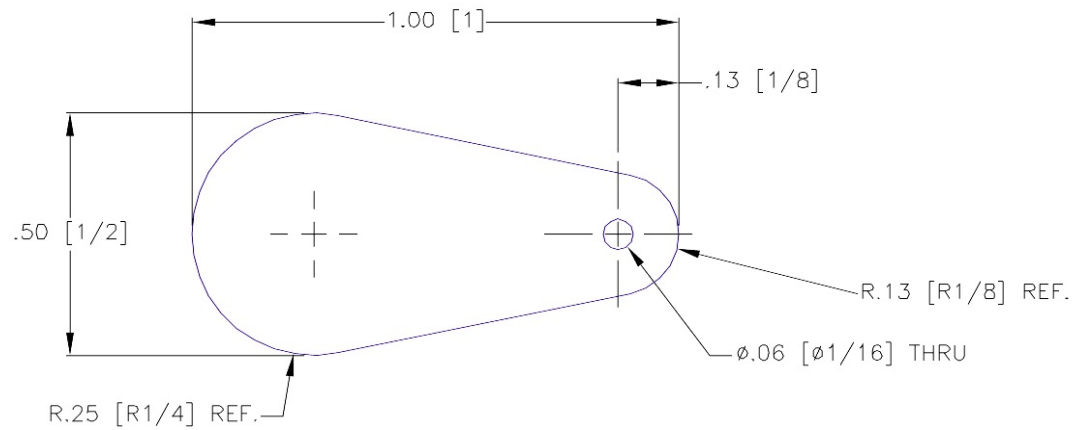




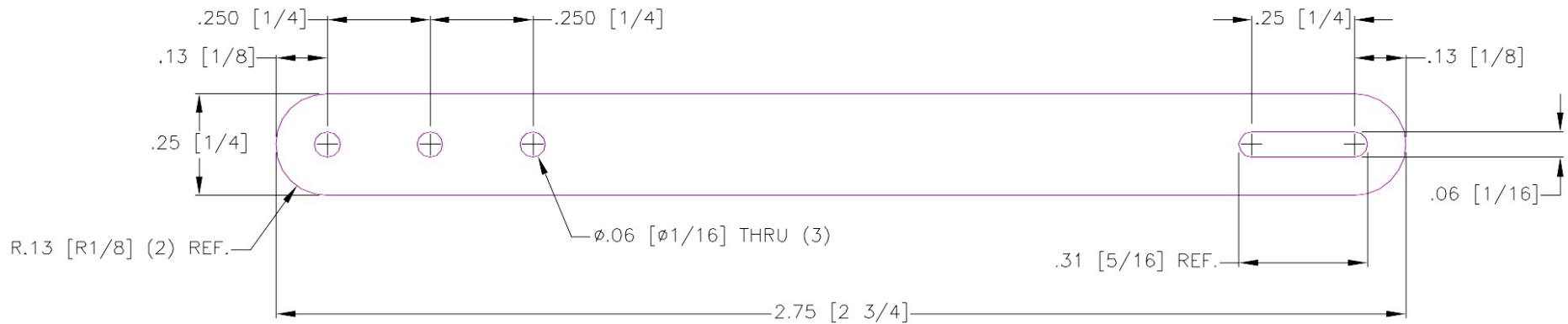
TOLERANCES UNLESS NOTED:		- NOTICE - TO ALL PERSONS RECEIVING THIS DRAWING		QTY/UNIT 2	REV	ECO#	REVISIONS	DRAWN BY	DATE	APPROVED
ANGULAR: ± 2'		THIS DRAWING CONTAINS CONFIDENTIAL AND PROPRIETARY INFORMATION AND IS ISSUED IN CONFIDENCE ON THE CONDITION THAT IT BE RETURNED ON DEMAND AND NOT BE COPIED, REPRODUCED, DISCLOSED TO OTHERS OR USED WITHOUT WRITTEN CONSENT.		MAT'L 1/8 PLYWOOD		TITLE RUDDR, FLANKING ASS'Y, RUDDER				
LINEAR:				SHAPE		ADD FINISH				
1 PLACE DECIMAL ± 1/8				DIM A 1/8		FIBERGLASS				
2 PLACE DECIMAL ± 1/16				DIM B 1 - 3/4		UNIT ITEM # 30				
3 PLACE DECIMAL ± .005		DIM C 2		HEAT TREAT		DATE 08/22/08		SCALE		PART NO. 044-02
✓ = 125 v		LENGTH				DATE		SCALE 1/1		SIZE B
INCHES DO NOT MM SCALE		BREAK OR CHAMFER EDGES AND CORNERS 1/64-1/32 UNLESS SPEC.						SHEET 1 OF 1		REV



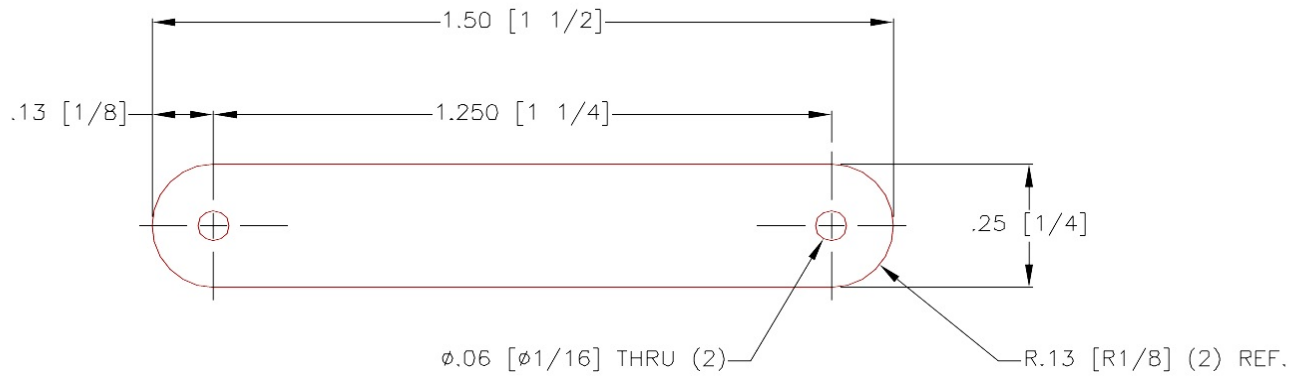
TOLERANCES UNLESS NOTED:		- NOTICE - TO ALL PERSONS RECEIVING THIS DRAWING		QTY/UNIT 3	REV	ECO#	REVISIONS	DRAWN BY	DATE	APPROVED
ANGULAR:	± 2'	THIS DRAWING CONTAINS CONFIDENTIAL AND PROPRIETARY INFORMATION AND IS ISSUED IN CONFIDENCE ON THE CONDITION THAT IT BE RETURNED ON DEMAND AND NOT BE COPIED, REPRODUCED, DISCLOSED TO OTHERS OR USED WITHOUT WRITTEN CONSENT.		MAT'L 1/4 OD BRASS	TITLE POST, RUDDER ASS'Y, RUDDER					
LINEAR:				SHAPE TUBE/RS	ADD FINISH					
1 PLACE DECIMAL	± 1/8			DIM A 1/4 OD	UNIT ITEM # 31					
2 PLACE DECIMAL	± 1/16			DIM B	PART NO. 004-03					
3 PLACE DECIMAL	± .005	DIM C	HEAT TREAT		DET./DES. MER	DATE 08/22/08	SCALE	SIZE	REV	
✓	= 125 v	LENGTH 3 - 1/2			CKD.	DATE	1/1	B	SHEET 1 OF 1	
INCHES DO NOT MM SCALE BREAK OR CHAMFER EDGES AND CORNERS 1/64-1/32 UNLESS SPEC.										



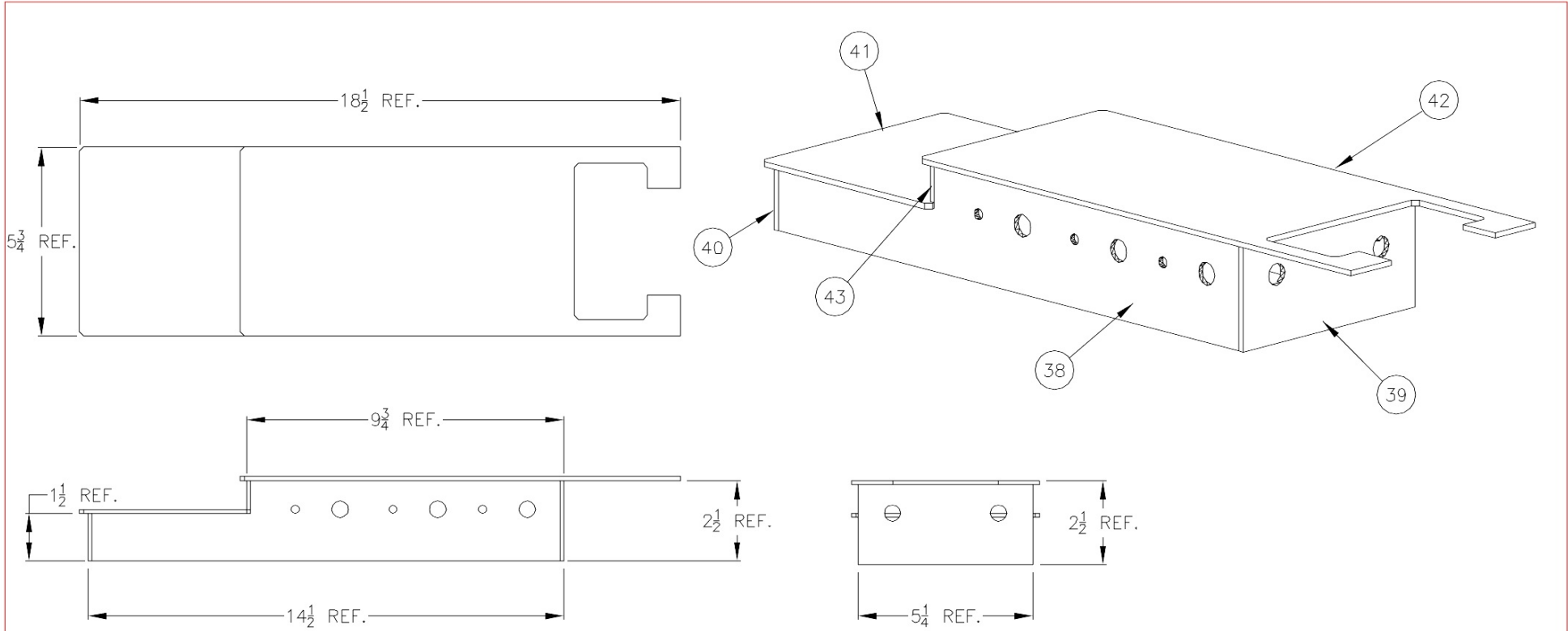
TOLERANCES UNLESS NOTED:		- NOTICE - TO ALL PERSONS RECEIVING THIS DRAWING		QTY/UNIT 3	REV	ECO#	REVISIONS	DRAWN BY	DATE	APPROVED
ANGULAR:	± 2'	THIS DRAWING CONTAINS CONFIDENTIAL AND PROPRIETARY INFORMATION AND IS ISSUED IN CONFIDENCE ON THE CONDITION THAT IT BE RETURNED ON DEMAND AND NOT BE COPIED, REPRODUCED, DISCLOSED TO OTHERS OR USED WITHOUT WRITTEN CONSENT.		MAT'L BRASS		TITLE		CAP, RUDDER POST ASS'Y, RUDDER		
LINEAR:				SHAPE		ADD FINISH				
1 PLACE DECIMAL	± 1/8			DIM A 1/16				ITEM # 35		
2 PLACE DECIMAL	± 1/16			DIM B 1/2				PART NO.		
3 PLACE DECIMAL	± 1/32	DIM C 1		LENGTH		004-07				
✓	= 125 √	HEAT TREAT		DET./DES	DATE	SCALE	SIZE	SHEET 1 OF 1		
INCHES DO NOT SCALE MM SCALE BREAK OR CHAMFER EDGES AND CDRNS 1/64-1/32 UNLESS SPEC.				MER	08/28/08	1/1	B	REV		



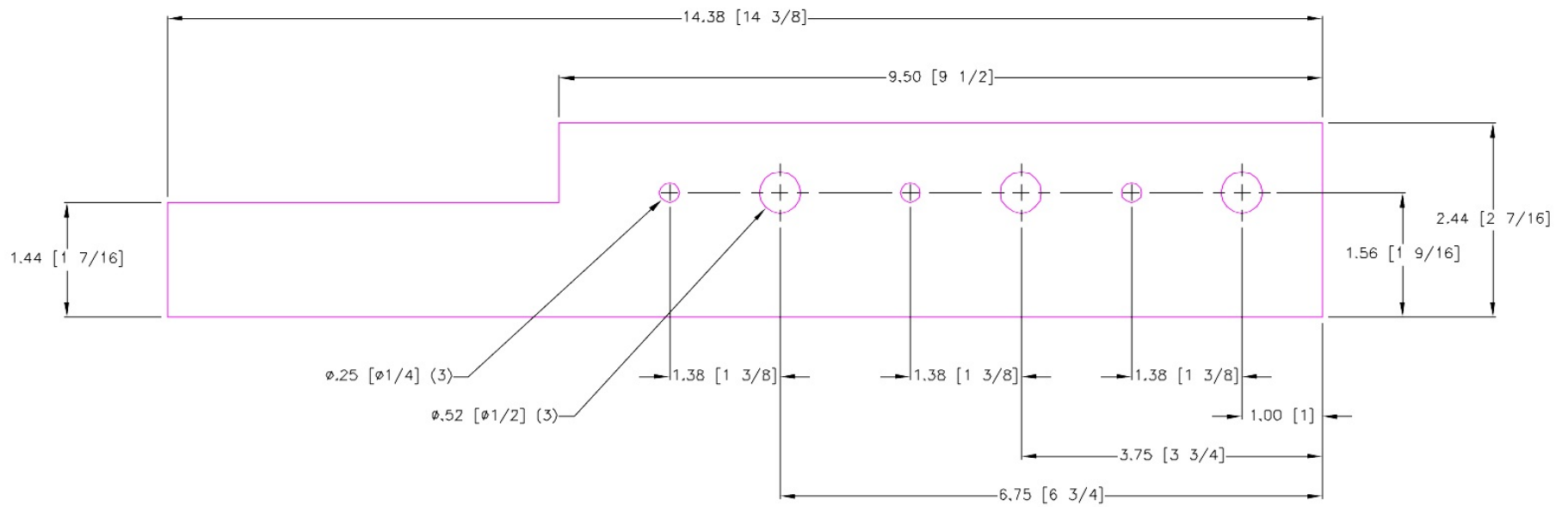
TOLERANCES UNLESS NOTED:		- NOTICE - TO ALL PERSONS RECEIVING THIS DRAWING		QTY/UNIT 1	REV	ECO#	REVISIONS	DRAWN BY	DATE	APPROVED	
ANGULAR:	± 2'	THIS DRAWING CONTAINS CONFIDENTIAL AND PROPRIETARY INFORMATION AND IS ISSUED IN CONFIDENCE ON THE CONDITION THAT IT BE RETURNED ON DEMAND AND NOT BE COPIED, REPRODUCED, DISCLOSED TO OTHERS OR USED WITHOUT WRITTEN CONSENT.		MAT'L 1/16 BRASS			TITLE BAR, PIVOT ASS'Y, RUDDER				
LINEAR:				SHAPE			ADD FINISH	UNIT ITEM # 36			
1 PLACE DECIMAL	± 1/8			DIM A 1/16				PART NO. 004-08			
2 PLACE DECIMAL	± 1/16			DIM B 1/4							
3 PLACE DECIMAL	± 1/32			DIM C 2 - 3/4							
✓	= 125 v			LENGTH							
		INCHES	DO NOT	HEAT TREAT							
		MM	SCALE								
BREAK OR CHAMFER EDGES AND CDRNS 1/64-1/32 UNLESS SPEC.							DET/DES MER	DATE 08/28/08	SCALE 1/1	SIZE B	REV
							CKD.	DATE		SHEET 1 OF 1	



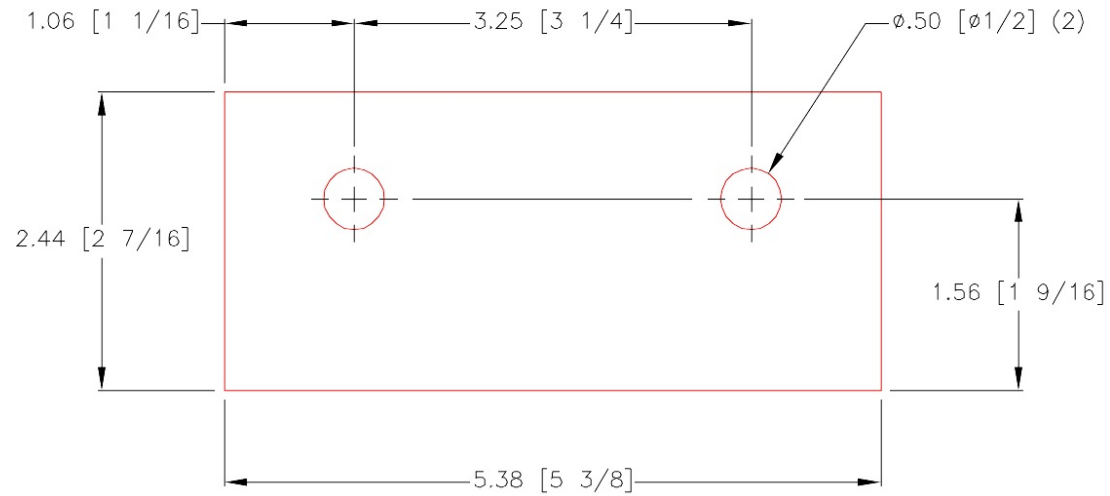
TOLERANCES UNLESS NOTED:		- NOTICE - TO ALL PERSONS RECEIVING THIS DRAWING THIS DRAWING CONTAINS CONFIDENTIAL AND PROPRIETARY INFORMATION AND IS ISSUED IN CONFIDENCE ON THE CONDITION THAT IT BE RETURNED ON DEMAND AND NOT BE COPIED, REPRODUCED, DISCLOSED TO OTHERS OR USED WITHOUT WRITTEN CONSENT.	QTY/UNIT	1	REV	ECO#	REVISIONS	DRAWN BY	DATE	APPROVED
ANGULAR:	$\pm 2^\circ$		MAT'L		1/16 BRASS		TITLE		CROSS BAR ASS'Y, RUDDER	
LINEAR:			SHAPE				ADD FINISH		UNIT ITEM # 37	
1 PLACE DECIMAL	$\pm 1/8$		DIM A		1/16		PART NO.		004-09	
2 PLACE DECIMAL	$\pm 1/16$	DIM B		1/4		HEAT TREAT		SCALE		
3 PLACE DECIMAL	$\pm 1/32$	DIM C		1 - 1/2		DET./DES.		DATE		
✓	= 125 $\nu$	LENGTH				CKD.		DATE		
	INCHES MM	DO NOT SCALE					SCALE		SIZE	
BREAK OR CHAMFER EDGES AND CORNERS 1/64-1/32 UNLESS SPEC.							1/1		B SHEET 1 OF 1	



TOLERANCES UNLESS NOTED:		- NOTICE - TO ALL PERSONS RECEIVING THIS DRAWING		QTY/UNIT 1	REV	ECO#	REVISIONS		DRAWN BY	DATE	APPROVED
ANGULAR: ± 2'		THIS DRAWING CONTAINS CONFIDENTIAL AND PROPRIETARY INFORMATION AND IS ISSUED IN CONFIDENCE ON THE CONDITION THAT IT BE RETURNED ON DEMAND AND NOT BE COPIED, REPRODUCED, DISCLOSED TO OTHERS OR USED WITHOUT WRITTEN CONSENT.		MAT'L SEE BOM		TITLE ASS'Y, MAIN CABIN					
LINEAR:				SHAPE		ADD FINISH					
1 PLACE DECIMAL ± 1/32				DIM A							
2 PLACE DECIMAL ± .01				DIM B							
3 PLACE DECIMAL ± .005				DIM C							
✓ = 125 v		LENGTH		HEAT TREAT		UNIT 3S RTB MK. IV		PART NO. 005-00			
INCHES DO NOT SCALE MM SCALE BREAK OR CHAMFER EDGES AND CORNERS 1/64-1/32 UNLESS SPEC.				DET./DES. MER	DATE 08/16/08	SCALE 1/1	SIZE B	SHEET 1	DF 1	REV	

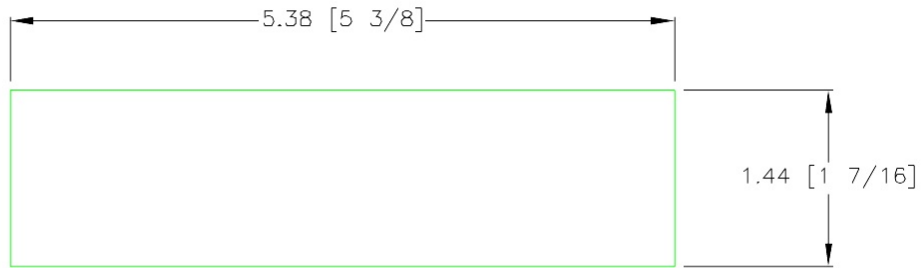


TOLERANCES UNLESS NOTED:		- NOTICE -		QTY/UNIT 2	REV	ECO#	REVISIONS		DRAWN BY	DATE	APPROVED
ANGULAR:	$\pm 2'$	TO ALL PERSONS RECEIVING THIS DRAWING THIS DRAWING CONTAINS CONFIDENTIAL AND PROPRIETARY INFORMATION AND IS ISSUED IN CONFIDENCE ON THE CONDITION THAT IT BE RETURNED ON DEMAND AND NOT BE COPIED, REPRODUCED, DISCLOSED TO OTHERS OR USED WITHOUT WRITTEN CONSENT.		MAT'L 1/8 BASS			TITLE				
LINEAR:				SHAPE			SIDE ASS'Y, MAIN CABIN				
1 PLACE DECIMAL	$\pm 1/8$			DIM A 1/8			ADD FINISH				
2 PLACE DECIMAL	$\pm 1/16$			DIM B 2 - 1/2			UNIT				
3 PLACE DECIMAL	$\pm .005$			DIM C 14 - 3/8			ITEM # 38				
✓	- 125 $\nu$			LENGTH			PART NO.				
	INCHES DO NOT SCALE			HEAT TREAT			005-01				
BREAK OR CHAMFER EDGES AND CORNERS 1/64-1/32 UNLESS SPEC							DET./DES. MER	DATE 08/22/08	SCALE	SIZE C	REV
							CKD.	DATE	1/1	SHEET 1 OF 1	

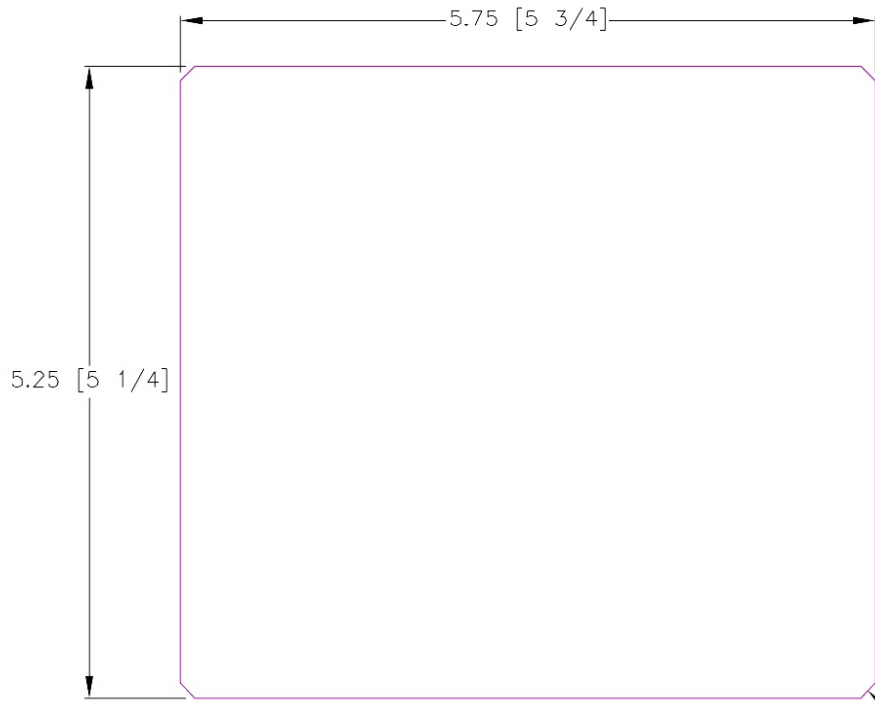


TOLERANCES UNLESS NOTED:		- NOTICE - TO ALL PERSONS RECEIVING THIS DRAWING		QTY/UNIT 1	REV	ECO#	REVISIONS	DRAWN BY	DATE	APPROVED	
ANGULAR:	± 2'	THIS DRAWING CONTAINS CONFIDENTIAL AND PROPRIETARY INFORMATION AND IS ISSUED IN CONFIDENCE ON THE CONDITION THAT IT BE RETURNED ON DEMAND AND NOT BE COPIED, REPRODUCED, DISCLOSED TO OTHERS OR USED WITHOUT WRITTEN CONSENT.		MAT'L 1/8 BASS		TITLE					
LINEAR:				SHAPE		FRONT ASS'Y, MAIN CABIN					
1 PLACE DECIMAL	± 1/8			DIM A 1/8		ADD FINISH		UNIT			
2 PLACE DECIMAL	± 1/16			DIM B 2 - 1/2				ITEM # 39			
3 PLACE DECIMAL	± .005			DIM C 5 - 3/8		LENGTH		PART NO.			
✓	= 125 v			HEAT TREAT		SCALE		005-02			
	INCHES MM	DO NOT SCALE			DET./DES. MER	DATE 08/22/08	SCALE	SIZE	SHEET 1 OF 1	REV	
BREAK OR CHAMFER EDGES AND CORNERS 1/64-1/32 UNLESS SPEC.					CKD.	DATE	1/1	B			



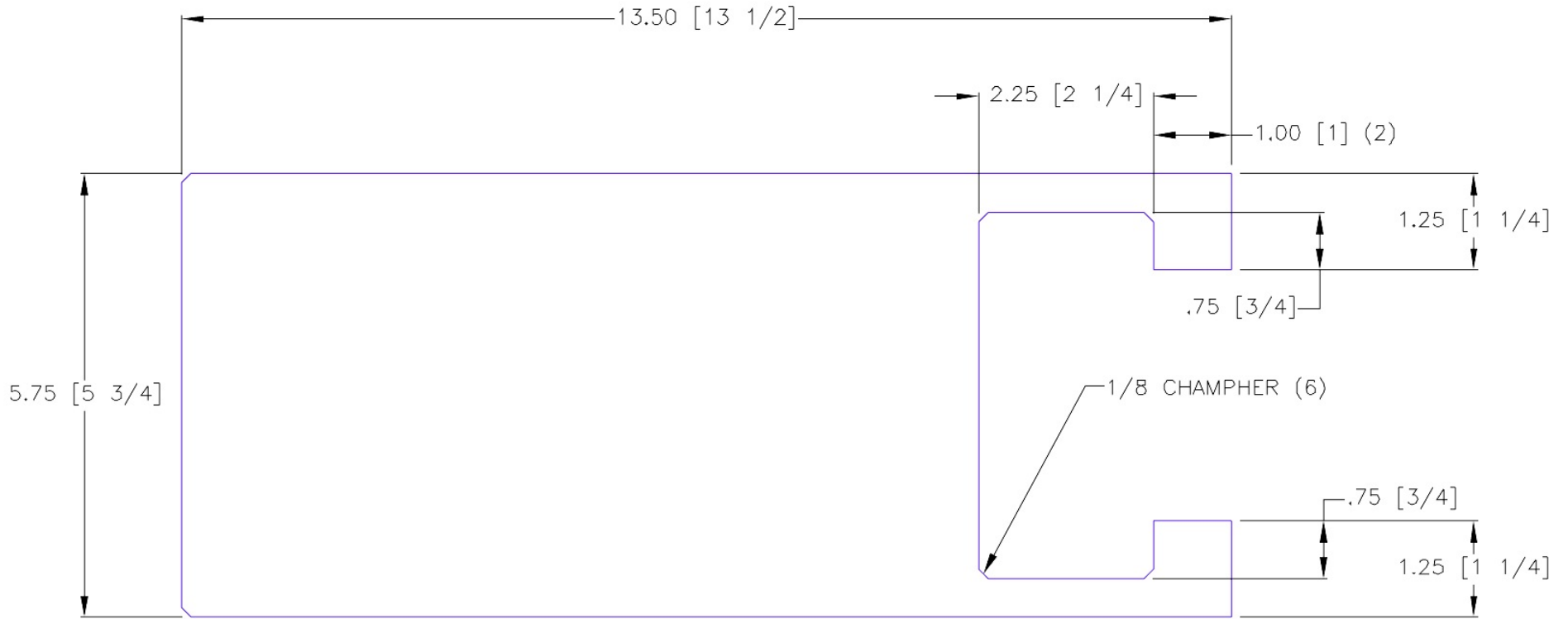


TOLERANCES UNLESS NOTED:		- NOTICE - TO ALL PERSONS RECEIVING THIS DRAWING		QTY/UNIT 1	REV	ECO#	REVISIONS		DRAWN BY	DATE	APPROVED
ANGULAR:	± 2'	THIS DRAWING CONTAINS CONFIDENTIAL AND PROPRIETARY INFORMATION AND IS ISSUED IN CONFIDENCE ON THE CONDITION THAT IT BE RETURNED ON DEMAND AND NOT BE COPIED, REPRDDUCED, DISCLDSED TO OTHERS OR USED WITHOUT WRITTEN CONSENT.		MAT'L 1/8 BASS		TITLE		STERN ASS'Y, MAIN CABIN			
LINEAR:				SHAPE		ADD FINISH					
1 PLACE DECIMAL	± 1/8			DIM A 1/8		UNIT		ITEM # 40			
2 PLACE DECIMAL	± 1/16			DIM B 1 - 1/2		PART NO.		005-03			
3 PLACE DECIMAL	± .005	DIM C 5 - 3/8		LENGTH		SCALE		SIZE		REV	
✓	= 125 v	HEAT TREAT		DET./DES. MER		DATE 08/22/08		1/1		B	SHEET 1 OF 1
	BREAK OR CHAMFER EDGES AND CORNERS 1/64-1/32 UNLESS SPEC.	INCHES MM		DO NOT SCALE							

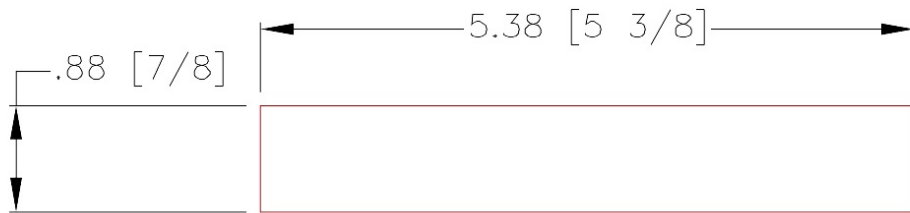


1/8 CHAMPHER (4)

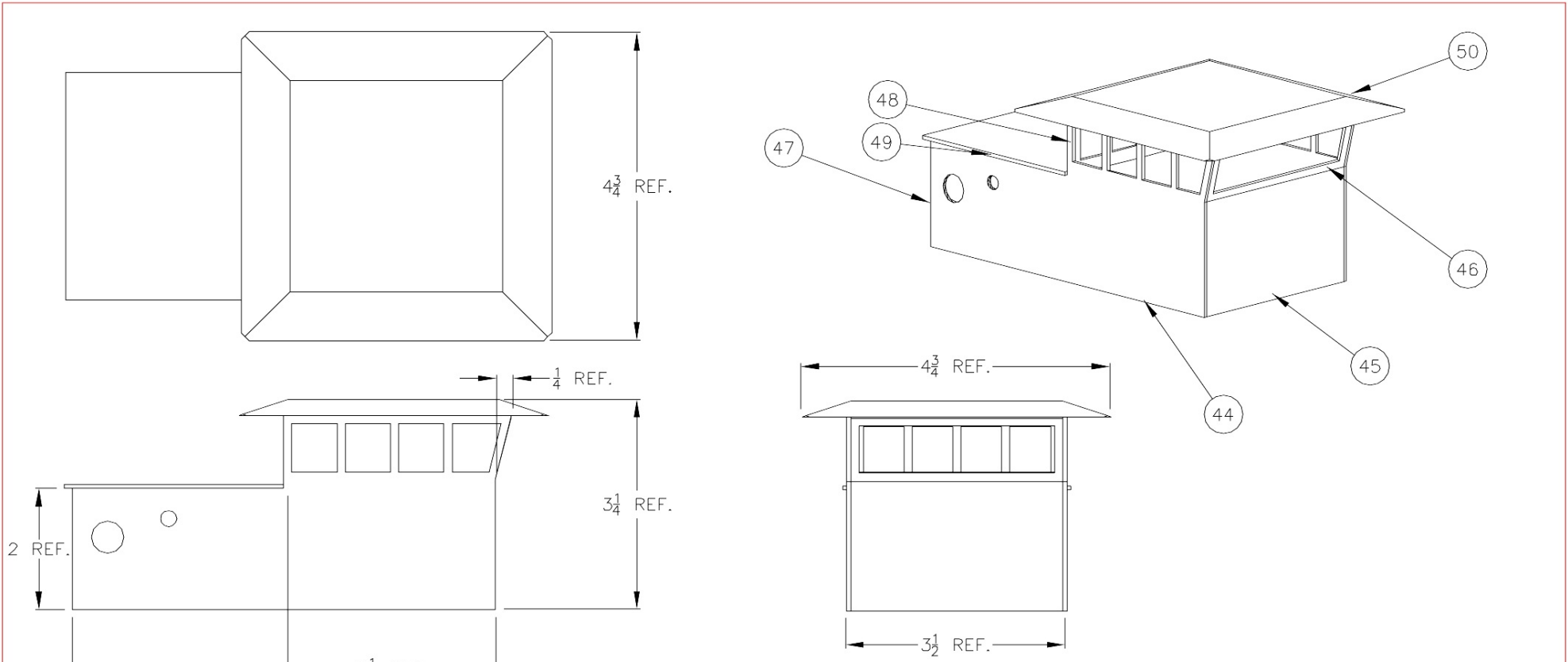
TOLERANCES UNLESS NOTED:		- NOTICE - TO ALL PERSONS RECEIVING THIS DRAWING		QTY/UNIT 1	REV	ECO#	REVISIONS	DRAWN BY	DATE	APPROVED	
ANGULAR:	± 2'	THIS DRAWING CONTAINS CONFIDENTIAL AND PROPRIETARY INFORMATION AND IS ISSUED IN CONFIDENCE ON THE CONDITION THAT IT BE RETURNED ON DEMAND AND NOT BE COPIED, REPRODUCED, DISCLOSED TO OTHERS OR USED WITHOUT WRITTEN CONSENT.		MAT'L 1/8 BASS	TITLE ROOF, STERN ASS'Y, MAIN CABIN						
LINEAR:				SHAPE	ADD FINISH						
1 PLACE DECIMAL	± 1/8			DIM A 1/8	UNIT ITEM # 41						
2 PLACE DECIMAL	± 1/16			DIM B 5 - 1/4	PART NO. 005-04						
3 PLACE DECIMAL	± .005	DIM C 5 - 3/4	LENGTH	SCALE 1/1							
✓	= 125 v		HEAT TREAT	DET./DES. MER	DATE 08/22/08	SCALE	SIZE B SHEET 1 OF 1				
INCHES MM		DO NOT SCALE		BREAK OR CHAMFER EDGES AND CORNERS 1/64-1/32 UNLESS SPEC.		CKD. DATE		REV			



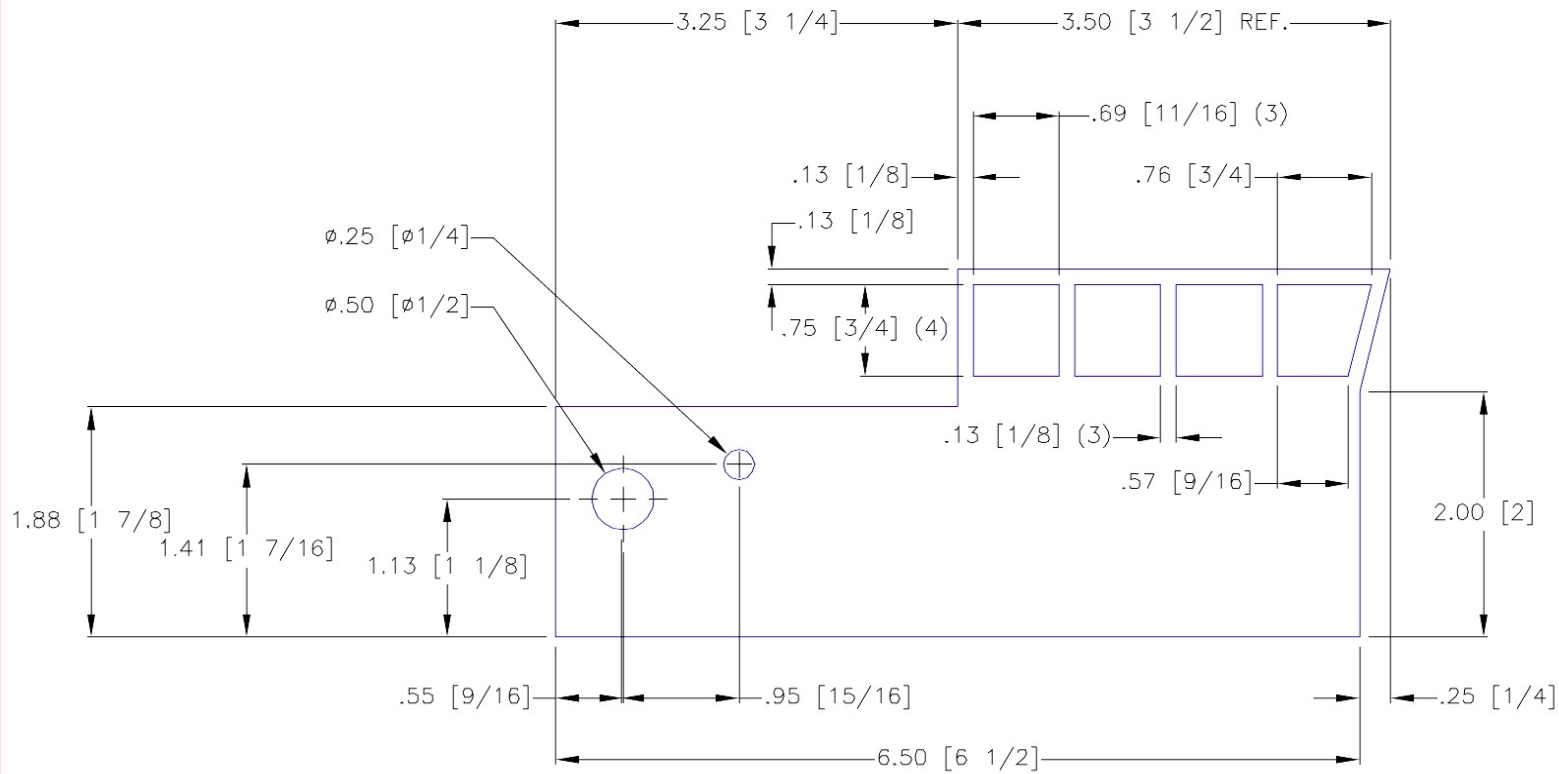
TOLERANCES UNLESS NOTED:		- NOTICE - TO ALL PERSONS RECEIVING THIS DRAWING		QTY/UNIT 1	REV	ECO#	REVISIONS		DRAWN BY	DATE	APPROVED	
ANGULAR:	± 2°	THIS DRAWING CONTAINS CONFIDENTIAL AND PROPRIETARY INFORMATION AND IS ISSUED IN CONFIDENCE ON THE CONDITION THAT IT BE RETURNED ON DEMAND AND NOT BE COPIED, REPRODUCED, DISCLOSED TO OTHERS OR USED WITHOUT WRITTEN CONSENT.		MAT'L 1/8 BASS	TITLE		ROOF, MAIN ASS'Y, MAIN CABIN					
LINEAR:				SHAPE	ADD FINISH		UNIT ITEM # 42					
1 PLACE DECIMAL	± 1/8			DIM A 1/8	PART NO.		005-05					
2 PLACE DECIMAL	± 1/16			DIM B 5 - 3/4	SIZE		C					
3 PLACE DECIMAL	± .005	DIM C 13 - 1/2	LENGTH		SCALE		1/1		SHEET 1 OF 1			
✓	- 125 v		HEAT TREAT		DATE		1/1					
⊙	INCHES	DO NOT	BREAK OR CHAMFER EDGES AND CORNERS 1/64-1/32 UNLESS SPEC		DATE		1/1					
	MM	SCALE			DATE		1/1					



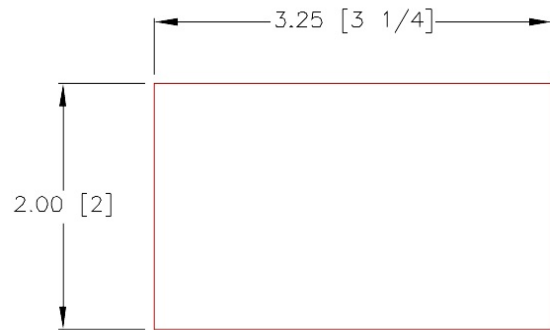
TOLERANCES UNLESS NOTED:		- NOTICE - TO ALL PERSONS RECEIVING THIS DRAWING THIS DRAWING CONTAINS CONFIDENTIAL AND PROPRIETARY INFORMATION AND IS ISSUED IN CONFIDENCE ON THE CONDITION THAT IT BE RETURNED ON DEMAND AND NOT BE COPIED, REPRODUCED, DISCLOSED TO OTHERS OR USED WITHOUT WRITTEN CONSENT.	QTY/UNIT 1	REV	ECO#	REVISIONS	DRAWN BY	DATE	APPROVED
ANGULAR:	± 2'		MAT'L 1/8		TITLE		WALL, STERN, UPPER ASS'Y, MAIN CABIN		
LINEAR:			SHAPE		ADD FINISH				
1 PLACE DECIMAL	± 1/8		DIM A 1/8		PART NO.		ITEM # 43		
2 PLACE DECIMAL	± 1/16	DIM B 7/8		HEAT TREAT		005-06			
3 PLACE DECIMAL	± .005	DIM C 5 - 3/8		DET./DES.		DATE	SCALE	SIZE	REV
✓	= 125 v	LENGTH		MER		08/22/08	1/1	B	
INCHES DO NOT MM SCALE BREAK OR CHAMFER EDGES AND CORNERS 1/64-1/32 UNLESS SPEC.				DATE				SHEET 1 OF 1	



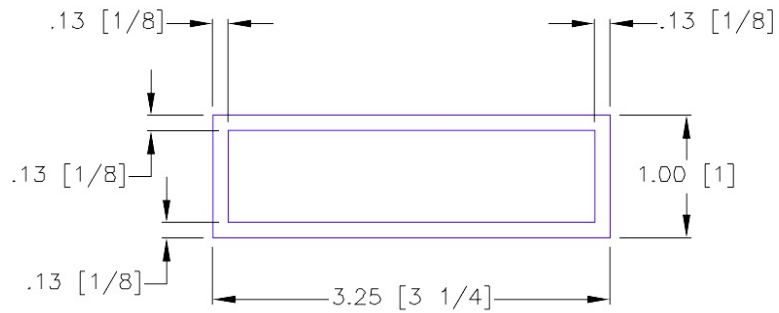
TOLERANCES UNLESS NOTED:		- NOTICE - TO ALL PERSONS RECEIVING THIS DRAWING THIS DRAWING CONTAINS CONFIDENTIAL AND PROPRIETARY INFORMATION AND IS ISSUED IN CONFIDENCE ON THE CONDITION THAT IT BE RETURNED ON DEMAND AND NOT BE COPIED, REPRODUCED, DISCLOSED TO OTHERS OR USED WITHOUT WRITTEN CONSENT.		QTY/UNIT 1	REV	ECO#	REVISIONS	DRAWN BY	DATE	APPROVED	
ANGULAR:	± 2'	MAT'L SEE BOM SHAPE DIM A DIM B DIM C LENGTH		TITLE ASS'Y PILOT HOUSE LOWER				UNIT 3S RTB MK. IV			
LINEAR:				ADD FINISH				PART NO. 006-00			
1 PLACE DECIMAL	± 1/8			HEAT TREAT		DET./DES. MER	DATE 08/17/08	SCALE	SIZE	SHEET 2 OF 2	
2 PLACE DECIMAL	± 1/16			HEAT TREAT		CKD.	DATE	1/1	B		
3 PLACE DECIMAL	± 1/32										
✓	= 125 v										
		INCHES	DO NOT								
		MM	SCALE								
BREAK OR CHAMFER EDGES AND CORNERS 1/64-1/32 UNLESS SPEC.											



TOLERANCES UNLESS NOTED:		-- NOTICE -- TO ALL PERSONS RECEIVING THIS DRAWING THIS DRAWING CONTAINS CONFIDENTIAL AND PROPRIETARY INFORMATION AND IS ISSUED IN CONFIDENCE ON THE CONDITION THAT IT BE RETURNED ON DEMAND AND NOT BE COPIED, REPRODUCED, DISCLOSED TO OTHERS OR USED WITHOUT WRITTEN CONSENT.	QTY/UNIT	REV	ECO#	REVISIONS	DRAWN BY	DATE	APPROVED	
ANGULAR:	± 2'		MAT'L	1/16 PLYWOOD	TITLE		SIDE LOWER PILOT HOUSE			
LINEAR:		SHAPE		ADD FINISH		UNIT				
1 PLACE DECIMAL	± 1/8	DIM A	1/16	PART NO.		006-01				
2 PLACE DECIMAL	± 1/16	DIM B	3	HEAT TREAT		DET./DES	DATE	SCALE	SIZE	SHEET 1 OF 1
3 PLACE DECIMAL	± 1/32	DIM C	6 - 1/2	DATE	08/28/08	DATE	1/1	B		
✓	= 125 v		LENGTH							
	INCHES MM	DO NOT SCALE							REV	
BREAK OR CHAMFER EDGES AND CDRNS 1/64-1/32 UNLESS SPEC.										

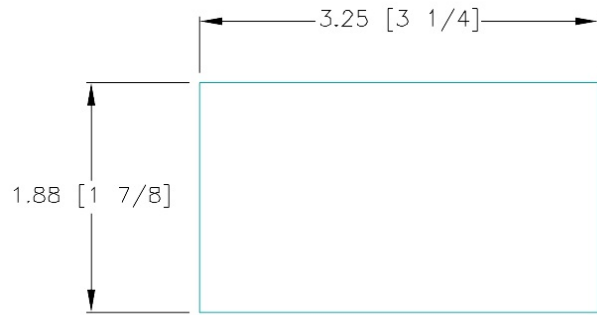


TOLERANCES UNLESS NOTED:		- NOTICE - TO ALL PERSONS RECEIVING THIS DRAWING		QTY/UNIT 1	REV	ECO#	REVISIONS	DRAWN BY	DATE	APPROVED
ANGULAR:	± 2'	THIS DRAWING CONTAINS CONFIDENTIAL AND PROPRIETARY INFORMATION AND IS ISSUED IN CONFIDENCE ON THE CONDITION THAT IT BE RETURNED ON DEMAND AND NOT BE COPIED, REPRDUCED, DISCLOSED TO OTHERS OR USED WITHOUT WRITTEN CONSENT.		MAT'L 1/16 PLYWOOD			TITLE LOWER FRONT LOWER PILOT HOUSE			
LINEAR:				SHAPE			ADD FINISH			
1 PLACE DECIMAL	± 1/8			DIM A 1/16						
2 PLACE DECIMAL	± 1/16			DIM B 2						
3 PLACE DECIMAL	± 1/32			DIM C 3 - 1/4						
✓	= 125 v			LENGTH						
	INCHES MM	DO NOT SCALE		HEAT TREAT			DET./DES. MER	DATE 08/28/08	SCALE	UNIT ITEM # 45
BREAK OR CHAMFER EDGES AND CORNERS 1/64-1/32 UNLESS SPEC.							CKD.	DATE	1/1	PART NO. 006-02
									SIZE B	SHEET 1 OF 1
										REV

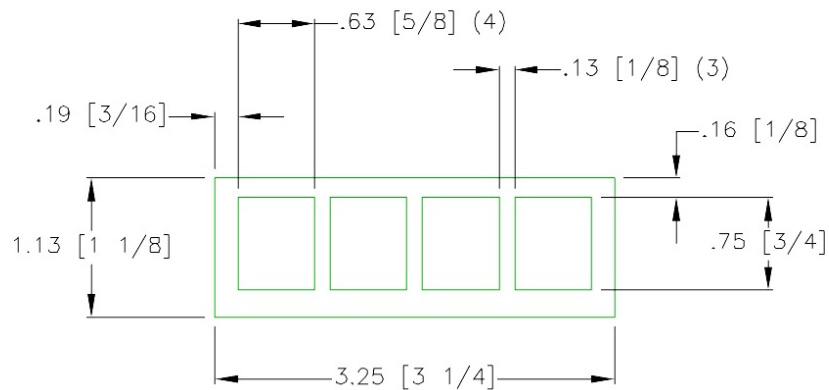


TOLERANCES UNLESS NOTED:		- NOTICE - TO ALL PERSONS RECEIVING THIS DRAWING			QTY/UNIT 1	REV	ECO#	REVISIONS	DRAWN BY	DATE	APPROVED
ANGULAR:	± 2'	THIS DRAWING CONTAINS CONFIDENTIAL AND PROPRIETARY INFORMATION AND IS ISSUED IN CONFIDENCE ON THE CONDITION THAT IT BE RETURNED ON DEMAND AND NOT BE COPIED, REPRODUCED, DISCLOSED TO OTHERS OR USED WITHOUT WRITTEN CONSENT.	MAT'L	1/16 PLYWOOD	TITLE			UPPER FRONT LOWER PILOT HOUSE			
LINEAR:			SHAPE		ADD FINISH			UNIT ITEM # 46			
1 PLACE DECIMAL	± 1/8		DIM A	1/16	PART NO.			006-03			
2 PLACE DECIMAL	± 1/16		DIM B	1	HEAT TREAT			SCALE			
3 PLACE DECIMAL	± 1/32	DIM C	3 - 1/4	LENGTH			DET./DES	DATE	SCALE		
✓	= 125 v						MER	08/28/08	1/1	SIZE	REV
INCHES DO NOT MM SCALE		BREAK OR CHAMFER EDGES AND CORNERS 1/64-1/32 UNLESS SPEC.			DATE			B	SHEET 1 OF 1		

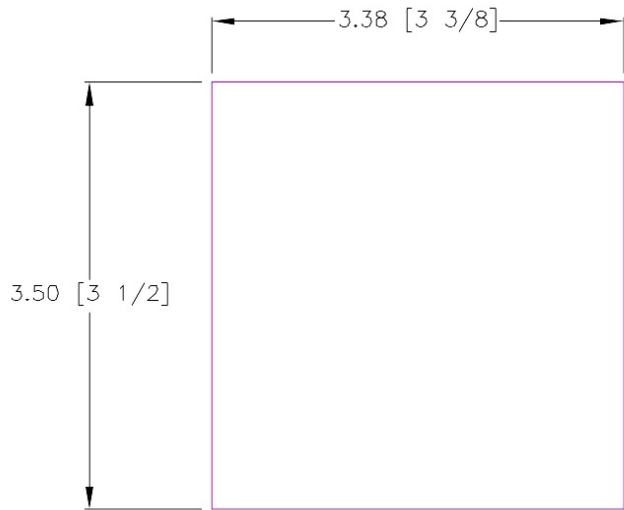




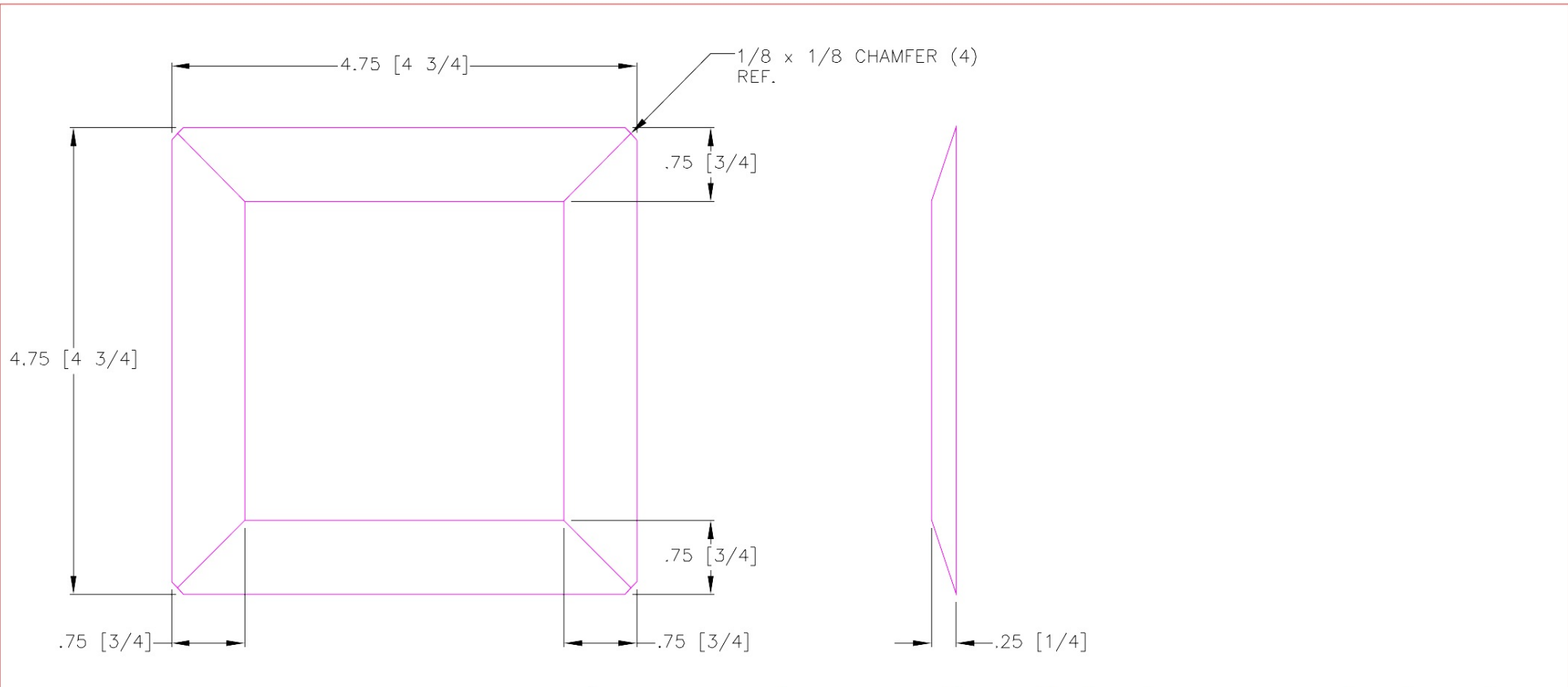
TOLERANCES UNLESS NOTED:		- NOTICE - TO ALL PERSONS RECEIVING THIS DRAWING THIS DRAWING CONTAINS CONFIDENTIAL AND PROPRIETARY INFORMATION AND IS ISSUED IN CONFIDENCE ON THE CONDITION THAT IT BE RETURNED ON DEMAND AND NOT BE COPIED, REPRODUCED, DISCLOSED TO OTHERS OR USED WITHOUT WRITTEN CONSENT.	QTY/UNIT 1	REV	ECO#	REVISIONS	DRAWN BY	DATE	APPROVED
ANGULAR:	± 2°		MAT'L 1/16 PLYWOOD		TITLE		LOWER REAR LOWER PILOT HOUSE		
LINEAR:			SHAPE		ADD FINISH		UNIT ITEM # 47		
1 PLACE DECIMAL	± 1/8		DIM A 1/16		PART NO.		006-04		
2 PLACE DECIMAL	± 1/16	DIM B 1 - 7/8		HEAT TREAT		DET./DES.	DATE	SCALE	SIZE
3 PLACE DECIMAL	± 1/32	DIM C 3 - 1/4				MER	OB/29/08	1/1	B
✓	= 125 v	LENGTH				CKD.	DATE		SHEET 1 OF 1
	INCHES MM	DO NOT SCALE							
BREAK DR CHAMFER EDGES AND CORNERS 1/64-1/32 UNLESS SPEC.									



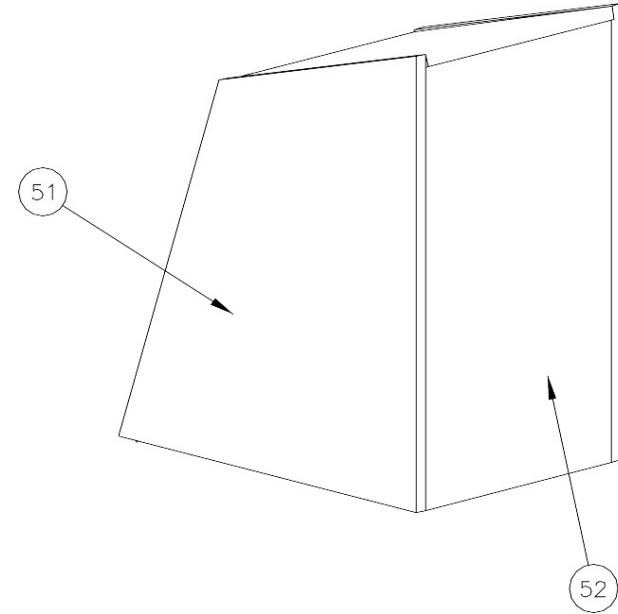
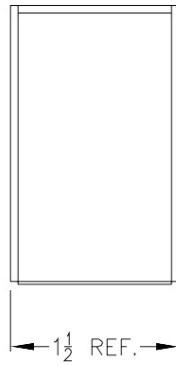
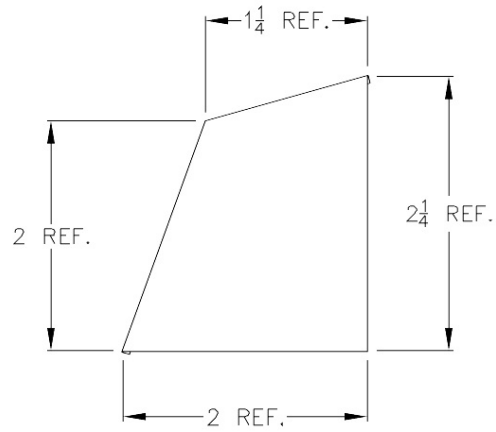
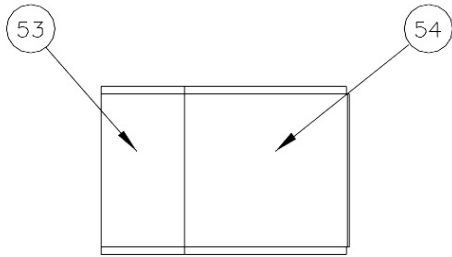
TOLERANCES UNLESS NOTED:		- NOTICE - TO ALL PERSONS		QTY/UNIT	REV	ECO#	REVISIONS	DRAWN BY	DATE	APPROVED
ANGULAR:	± 2'	RECEIVING THIS DRAWING THIS DRAWING CONTAINS CONFIDENTIAL AND PROPRIETARY INFORMATION AND IS ISSUED IN CONFIDENCE ON THE CONDITION THAT IT BE RETURNED ON DEMAND AND NOT BE COPIED, REPRODUCED, DISCLOSED TO OTHERS OR USED WITHOUT WRITTEN CONSENT.		MAT'L	1/16 PLYWOOD	TITLE		UPPER REAR LOWER PILOT HOUSE		
LINEAR:				SHAPE		ADD FINISH				
1 PLACE DECIMAL	± 1/8			DIM A	1/16	PART NO.		006-05		
2 PLACE DECIMAL	± 1/16			DIM B	1 - 1/8	SCALE		SIZE	B	
3 PLACE DECIMAL	± 1/32			DIM C	3 - 1/4	HEAT TREAT		SHEET	1 OF 1	
✓	= 125 v					DET./DES MER	DATE 08/29/08	SCALE	1/1	REV
INCHES MM DO NOT SCALE		BREAK OR CHAMFER EDGES AND CORNERS 1/64-1/32 UNLESS SPEC.				DATE				



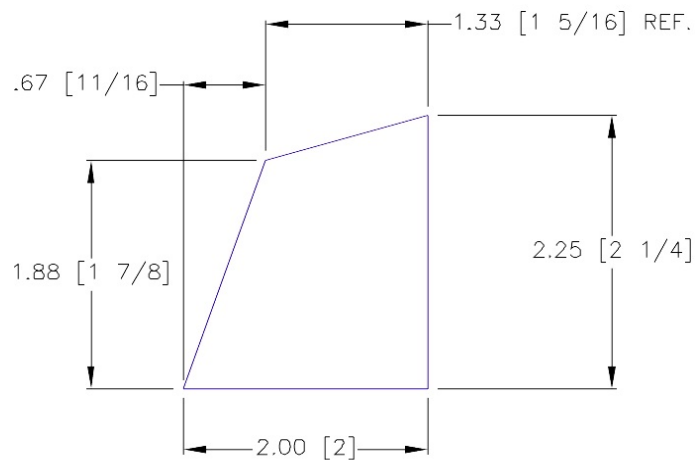
TOLERANCES UNLESS NOTED:		- NOTICE - TO ALL PERSONS		QTY/UNIT	REV	ECO#	REVISIONS	DRAWN BY	DATE	APPROVED	
ANGULAR:	± 2'	RECEIVING THIS DRAWING THIS DRAWING CONTAINS CONFIDENTIAL AND PROPRIETARY INFORMATION AND IS ISSUED IN CONFIDENCE ON THE CONDITION THAT IT BE RETURNED ON DEMAND AND NOT BE COPIED, REPRODUCED, DISCLOSED TO OTHERS OR USED WITHOUT WRITTEN CONSENT.	MAT'L	1/8	BALSA	TITLE ROOF, STERN LOWER PILOT HOUSE					
LINEAR:			SHAPE			ADD FINISH		UNIT ITEM # 49			
1 PLACE DECIMAL	± 1/8		DIM A	1/8				PART NO. 006-06			
2 PLACE DECIMAL	± 1/16		DIM B	3- 3/8							
3 PLACE DECIMAL	± 1/32		DIM C	3 - 1/2							
✓	= 125 v		LENGTH		HEAT TREAT	DET./DES. MER	DATE 08/29/08	SCALE 1/1	SIZE B	SHEET 1 OF 1	REV
INCHES MM		DO NOT SCALE		BREAK OR CHAMFER EDGES AND CORNERS 1/64-1/32 UNLESS SPEC.							



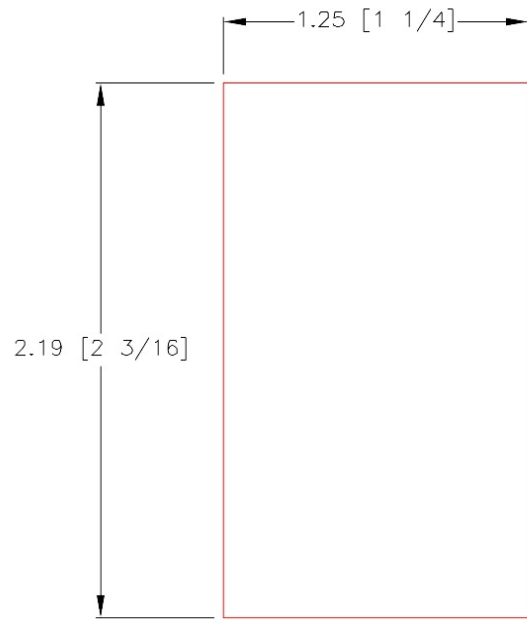
TOLERANCES UNLESS NOTED:			- NOTICE - TO ALL PERSONS RECEIVING THIS DRAWING			QTY/UNIT 1	REV	ECO#	REVISIONS	DRAWN BY	DATE	APPROVED
ANGULAR: ± 2'			THIS DRAWING CONTAINS CONFIDENTIAL AND PROPRIETARY INFORMATION AND IS ISSUED IN CONFIDENCE ON THE CONDITION THAT IT BE RETURNED ON DEMAND AND NOT BE COPIED, REPRODUCED, DISCLOSED TO OTHERS OR USED WITHOUT WRITTEN CONSENT.			MAT'L 1/4 BALSA		TITLE ROOF, MAIN LOWER PILOT HOUSE				
LINEAR:						SHAPE		ADD FINISH				
1 PLACE DECIMAL ± 1/8						DIM A 1/4		UNIT ITEM # 50				
2 PLACE DECIMAL ± 1/16						DIM B 4 - 3/4		PART NO. 006-07				
3 PLACE DECIMAL ± 1/32			DIM C 4 - 3/4		LENGTH		SCALE 1/1					
✓ = 125 v			HEAT TREAT		DET./DES. MER		DATE 08/29/08		DATE		REV	
INCHES DO NOT MM SCALE			BREAK OR CHAMFER EDGES AND CORNERS 1/64-1/32 UNLESS SPEC.		CKD.		DATE		SIZE B		SHEET 1 OF 1	



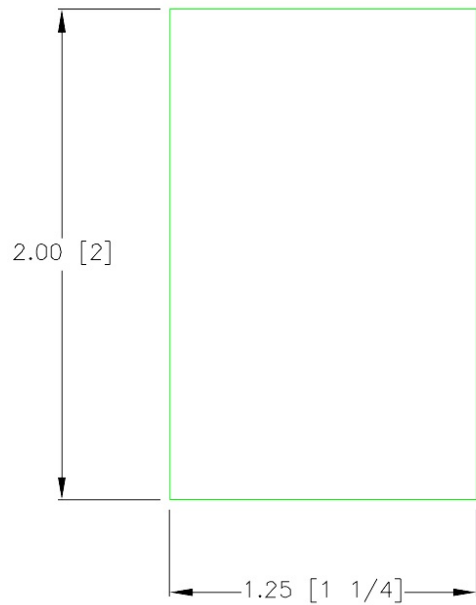
TOLERANCES UNLESS NOTED:		- NOTICE - TO ALL PERSONS RECEIVING THIS DRAWING THIS DRAWING CONTAINS CONFIDENTIAL AND PROPRIETARY INFORMATION AND IS ISSUED IN CONFIDENCE ON THE CONDITION THAT IT BE RETURNED ON DEMAND AND NOT BE COPIED, REPRODUCED, DISCLOSED TO OTHERS OR USED WITHOUT WRITTEN CONSENT.	QTY/UNIT 1	REV	ECO#	REVISIONS	DRAWN BY	DATE	APPROVED
ANGULAR:	± 2'		MAT'L SEE BOM		TITLE		ASS'Y, SMOKE STACK		
LINEAR:			SHAPE		ADD FINISH		UNIT		
1 PLACE DECIMAL	± 1/32		DIM A		SCALE		3S RTB MK. IV		
2 PLACE DECIMAL	± .01	DIM B		HEAT TREAT		PART NO.			
3 PLACE DECIMAL	± .005	DIM C		DET./DES.		007-00			
✓	= 125 v	LENGTH		MER		DATE			
⊙ □	INCHES DO NOT MM SCALE	BREAK OR CHAMFER EDGES AND CORNERS 1/64-1/32 UNLESS SPEC.		CKD.		DATE			
			SCALE		SIZE		SHEET 1 OF 1		
			1/1		B				



TOLERANCES UNLESS NOTED:		- NOTICE - TO ALL PERSONS RECEIVING THIS DRAWING		QTY/UNIT 2	REV	ECO#	REVISIONS	DRAWN BY	DATE	APPROVED
ANGULAR:	± 2'	THIS DRAWING CONTAINS CONFIDENTIAL AND PROPRIETARY INFORMATION AND IS ISSUED IN CONFIDENCE ON THE CONDITION THAT IT BE RETURNED ON DEMAND AND NOT BE COPIED, REPRODUCED, DISCLOSED TO OTHERS OR USED WITHOUT WRITTEN CONSENT.		MAT'L	1/16	PLYWOOD	TITLE SIDE ASS'Y, SMOKE STACK			
LINEAR:				SHAPE						
1 PLACE DECIMAL	± 1/8			DIM A	1/16					
2 PLACE DECIMAL	± 1/16			DIM B	2					
3 PLACE DECIMAL	± 1/32	DIM C	2 - 1/4							
✓	= 125 v			LENGTH			ADD FINISH	UNIT ITEM # 51		
	INCHES MM	DO NOT SCALE		HEAT TREAT			DET./DES. MÉR	DATE 08/29/08	SCALE	PART NO. 007-01
BREAK OR CHAMFER EDGES AND CORNERS 1/64-1/32 UNLESS SPEC.							CKD.	DATE	1/1	SIZE B
										SHEET 1 OF 1
										REV

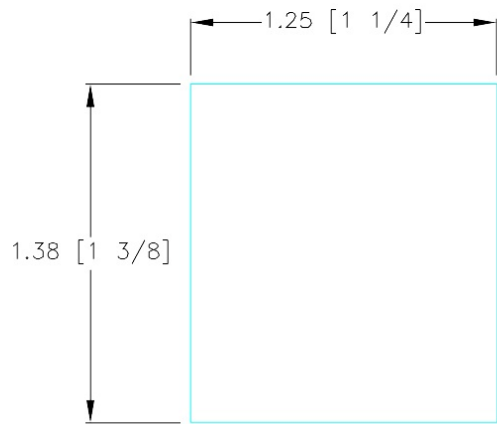


TOLERANCES UNLESS NOTED:		- NOTICE - TO ALL PERSONS RECEIVING THIS DRAWING		QTY/UNIT 1	REV	ECO#	REVISIONS	DRAWN BY	DATE	APPROVED
ANGULAR:	± 2'	THIS DRAWING CONTAINS CONFIDENTIAL AND PROPRIETARY INFORMATION AND IS ISSUED IN CONFIDENCE ON THE CONDITION THAT IT BE RETURNED ON DEMAND AND NOT BE COPIED, REPRODUCED, DISCLOSED TO OTHERS OR USED WITHOUT WRITTEN CONSENT.		MAT'L 1/16 PLYWOOD	TITLE FRONT ASS'Y, SMOKE STACK					
LINEAR:				SHAPE	ADD FINISH					
1 PLACE DECIMAL	± 1/8			DIM A 1/16	UNIT ITEM # 52					
2 PLACE DECIMAL	± 1/16			DIM B 1 - 1/4	PART NO. 007-02					
3 PLACE DECIMAL	± 1/32			DIM C 2 - 3/16	SCALE					
✓	= 125 v	LENGTH	HEAT TREAT	DET./DES. MER	DATE 08/29/08	SCALE 1/1	SIZE B	SHEET 1 OF 1		REV
INCHES MM DO NOT SCALE BREAK OR CHAMFER EDGES AND CORNERS 1/64-1/32 UNLESS SPEC.										

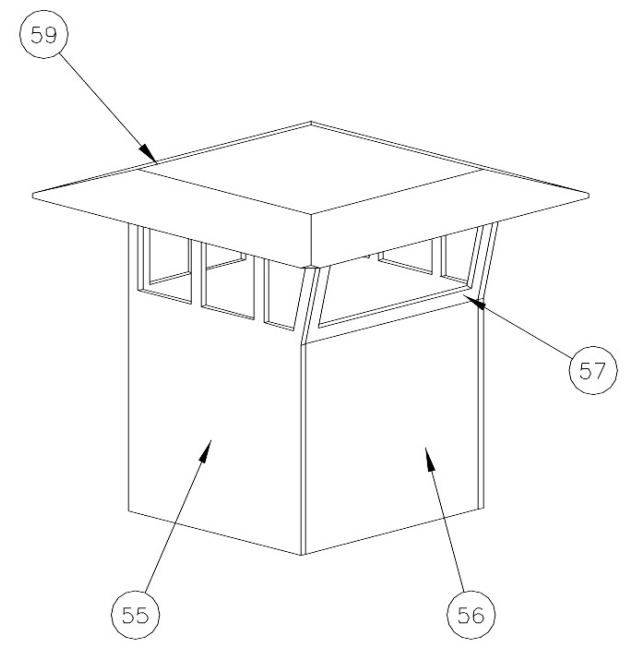
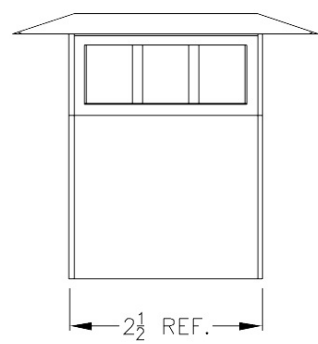
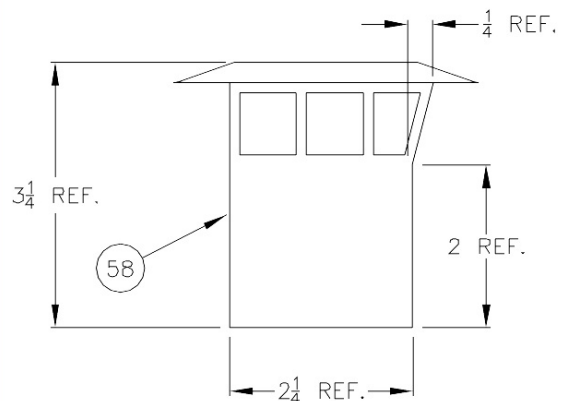
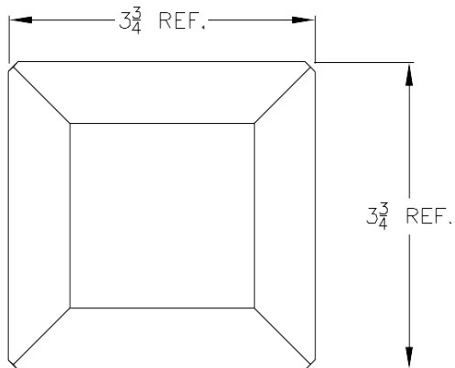


TOLERANCES UNLESS NOTED:		- NOTICE - TO ALL PERSONS RECEIVING THIS DRAWING			QTY/UNIT 1	REV	ECO#	REVISIONS	DRAWN BY	DATE	APPROVED
ANGULAR:	± 2'	THIS DRAWING CONTAINS CONFIDENTIAL AND PROPRIETARY INFORMATION AND IS ISSUED IN CONFIDENCE ON THE CONDITION THAT IT BE RETURNED ON DEMAND AND NOT BE COPIED, REPRODUCED, DISCLOSED TO OTHERS OR USED WITHOUT WRITTEN CONSENT.	MAT'L	1/16 PLYWOOD	TITLE			REAR ASS'Y, SMOKE STACK			
LINEAR:			SHAPE		ADD FINISH			UNIT ITEM # 53			
1 PLACE DECIMAL	± 1/8		DIM A	1/16	PART NO.			007-03			
2 PLACE DECIMAL	± 1/16		DIM B	1 - 1/4	SCALE			SIZE			
3 PLACE DECIMAL	± 1/32		DIM C	2	HEAT TREAT			SHEET 1 OF 1			
✓	= 125 v		LENGTH								
INCHES DO NOT MM SCALE		BREAK OR CHAMFER EDGES AND CORNERS 1/64-1/32 UNLESS SPEC.		DET./DES MER	DATE 08/29/08	SCALE 1/1	REV				

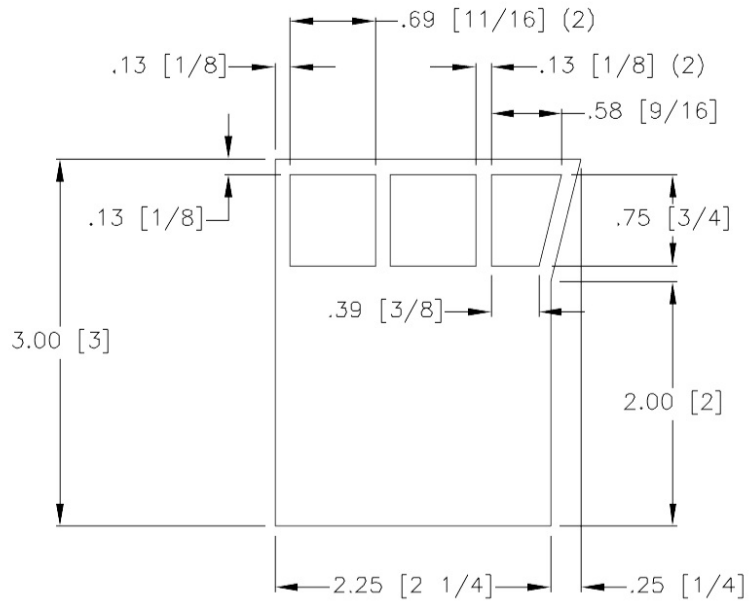




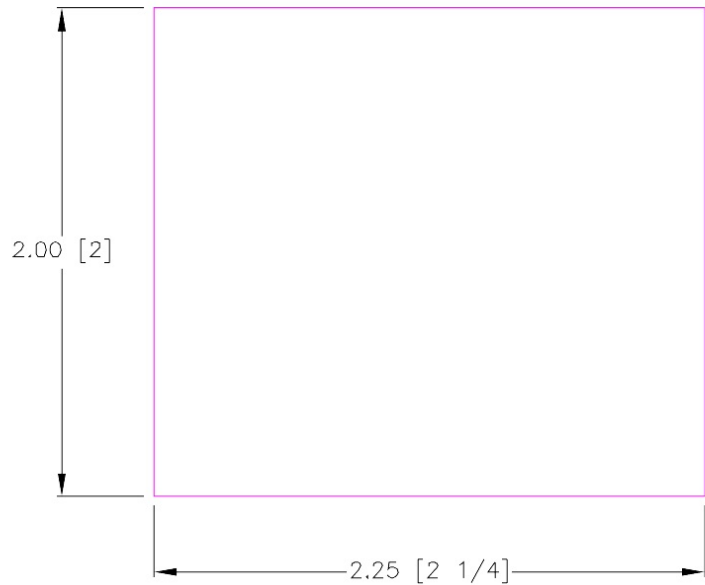
TOLERANCES UNLESS NOTED:		- NOTICE - TO ALL PERSONS RECEIVING THIS DRAWING THIS DRAWING CONTAINS CONFIDENTIAL AND PROPRIETARY INFORMATION AND IS ISSUED IN CONFIDENCE ON THE CONDITION THAT IT BE RETURNED ON DEMAND AND NOT BE COPIED, REPRODUCED, DISCLOSED TO OTHERS OR USED WITHOUT WRITTEN CONSENT.	QTY/UNIT 1	REV	ECO#	REVISIONS	DRAWN BY	DATE	APPROVED
ANGULAR:	± 2'		MAT'L 1/16 PLYWOOD	TITLE TOP ASS'Y, SMOKE STACK					
LINEAR:			SHAPE	ADD FINISH					
1 PLACE DECIMAL	± 1/8		DIM A 1/16	UNIT ITEM # 54					
2 PLACE DECIMAL	± 1/16	DIM B 1 - 1/4	PART NO. 007-04						
3 PLACE DECIMAL	± 1/32	DIM C 1 - 3/8	SCALE						
✓	= 125 v	LENGTH	1/1						
	INCHES MM	DO NOT SCALE	HEAT TREAT	DET./DES. MER	DATE 08/29/08	SCALE	SIZE B	SHEET 1 OF 1	REV
BREAK DR CHAMFER EDGES AND CORNERS 1/64-1/32 UNLESS SPEC.				CKD.	DATE				



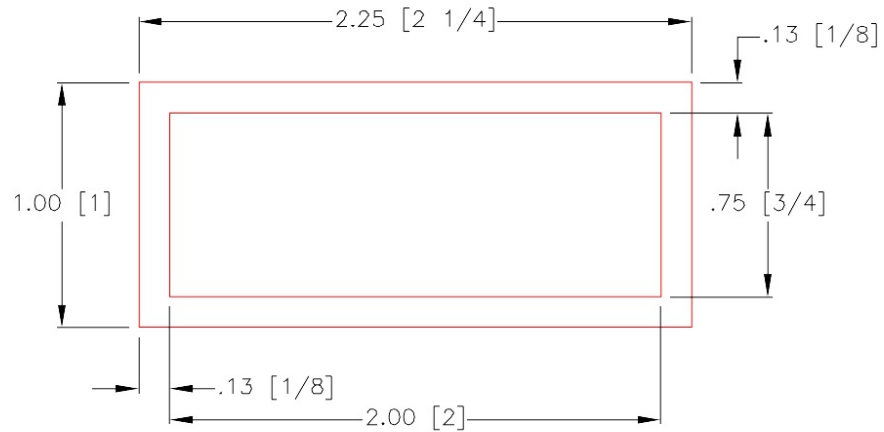
TOLERANCES UNLESS NOTED:		- NOTICE - TO ALL PERSONS RECEIVING THIS DRAWING		QTY/UNIT 1	REV	ECO#	REVISIONS	DRAWN BY	DATE	APPROVED	
ANGULAR:	± 2'	THIS DRAWING CONTAINS CONFIDENTIAL AND PROPRIETARY INFORMATION AND IS ISSUED IN CONFIDENCE ON THE CONDITION THAT IT BE RETURNED ON DEMAND AND NOT BE COPIED, REPRODUCED, DISCLOSED TO OTHERS OR USED WITHOUT WRITTEN CONSENT.		MAT'L SEE BOM		TITLE					
LINEAR:				SHAPE		ASS'Y PILOT HOUSE UPPER					
1 PLACE DECIMAL	± 1/32			DIM A		ADD FINISH		UNIT		3S RTB MK. IV	
2 PLACE DECIMAL	± .01			DIM B		HEAT TREAT		PART NO.		008-00	
3 PLACE DECIMAL	± .005			DIM C		DATE		SCALE		SIZE	
✓	= 125 v	LENGTH		08/19/08		1/1		B			
	. INCHES MM	DO NOT SCALE		DATE		SCALE		SHEET 1 OF 1		REV	
BREAK OR CHAMFER EDGES AND CORNERS 1/64-1/32 UNLESS SPEC.				DATE							



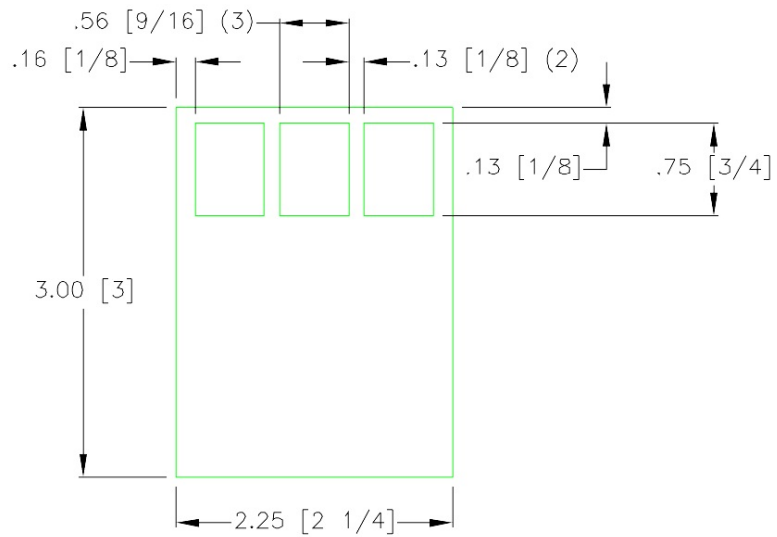
TOLERANCES UNLESS NOTED:		- NOTICE - TO ALL PERSONS RECEIVING THIS DRAWING		QTY/UNIT 2	REV	ECO#	REVISIONS	DRAWN BY	DATE	APPROVED
ANGULAR:	± 2'	THIS DRAWING CONTAINS CONFIDENTIAL AND PROPRIETARY INFORMATION AND IS ISSUED IN CONFIDENCE ON THE CONDITION THAT IT BE RETURNED ON DEMAND AND NOT BE COPIED, REPRODUCED, DISCLOSED TO OTHERS OR USED WITHOUT WRITTEN CONSENT.		MAT'L 1/16 PLYWOOD	TITLE SIDE UPPER PILOT HOUSE					
LINEAR:				SHAPE	ADD FINISH					
1 PLACE DECIMAL	± 1/8			DIM A 1/16	UNIT ITEM # 55					
2 PLACE DECIMAL	± 1/16			DIM B 2 - 1/2	PART NO. 008-01					
3 PLACE DECIMAL	± 1/32	DIM C 3	LENGTH	HEAT TREAT						
✓	= 125 v			DET /DES MER	DATE 09/01/08	SCALE 1/1	SIZE B	SHEET 1 OF 1		REV
⊙	INCHES MM	DO NOT SCALE		CKD.	DATE					
BREAK OR CHAMFER EDGES AND CDRNS 1/64-1/32 UNLESS SPEC.										



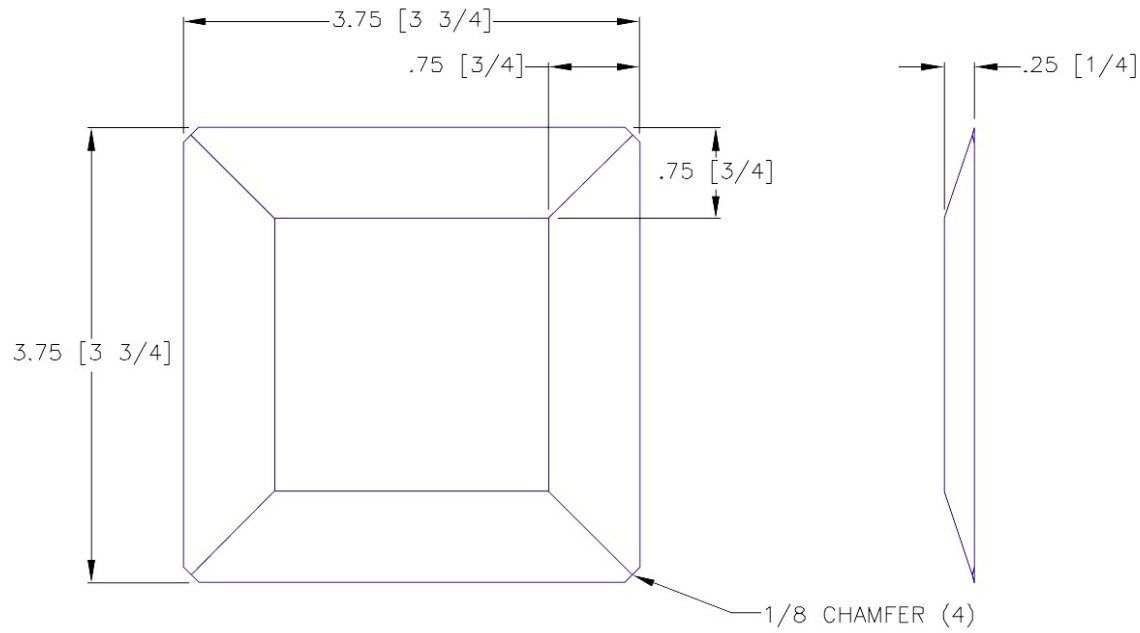
TOLERANCES UNLESS NOTED:		- NOTICE - TO ALL PERSONS RECEIVING THIS DRAWING		QTY/UNIT 1	REV	ECO#	REVISIONS	DRAWN BY	DATE	APPROVED
ANGULAR:	± 2'	THIS DRAWING CONTAINS CONFIDENTIAL AND PROPRIETARY INFORMATION AND IS ISSUED IN CONFIDENCE ON THE CONDITION THAT IT BE RETURNED ON DEMAND AND NOT BE COPIED, REPRODUCED, DISCLOSED TO OTHERS OR USED WITHOUT WRITTEN CONSENT.		MAT'L	1/16 PLYWOOD	TITLE		LOWER, FRONT UPPER PILOT HOUSE		
LINEAR:				SHAPE		ADD FINISH				
1 PLACE DECIMAL	± 1/8			DIM A	1/16	HEAT TREAT		PART NO.	008-02	
2 PLACE DECIMAL	± 1/16			DIM B	2 - 1/4			SCALE	1/1	
3 PLACE DECIMAL	± 1/32	DIM C	2			DET./DES. MER	DATE 09/01/08	SIZE	B	SHEET 1 OF 1
✓	= 125 v	LENGTH				CKD.	DATE	REV		
	INCHES MM	DO NOT SCALE	BREAK OR CHAMFER EDGES AND CORNERS 1/64-1/32 UNLESS SPEC.							



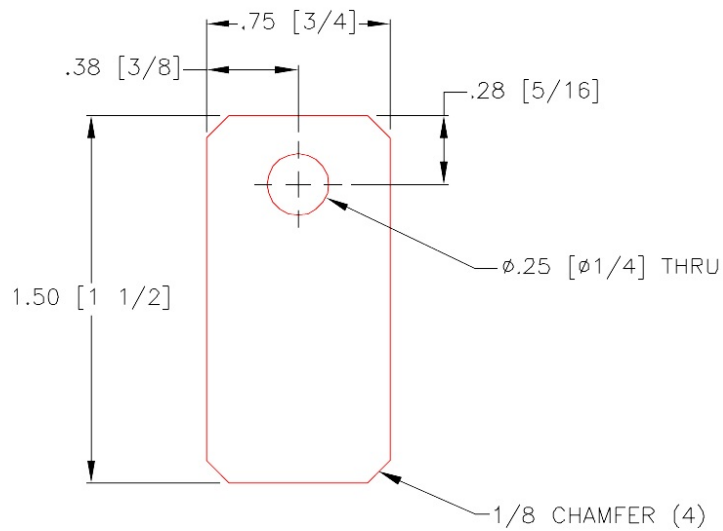
TOLERANCES UNLESS NOTED:		<p align="center">- NOTICE - TO ALL PERSONS RECEIVING THIS DRAWING THIS DRAWING CONTAINS CONFIDENTIAL AND PROPRIETARY INFORMATION AND IS ISSUED IN CONFIDENCE ON THE CONDITION THAT IT BE RETURNED ON DEMAND AND NOT BE COPIED, REPRODUCED, DISCLOSED TO OTHERS OR USED WITHOUT WRITTEN CONSENT.</p>	QTY/UNIT 1	REV	ECO#	REVISIONS	DRAWN BY	DATE	APPROVED
ANGULAR:	± 2'		MAT'L 1/16 PLYWOOD	TITLE		UPPER, FRONT UPPER PILOT HOUSE			
LINEAR:			SHAPE	ADD FINISH		UNIT ITEM # 57			
1 PLACE DECIMAL	± 1/8		DIM A 1/16	HEAT TREAT		PART NO. 008-03			
2 PLACE DECIMAL	± 1/16	DIM B 1	DET./DES		DATE	SCALE	SIZE		
3 PLACE DECIMAL	± 1/32	DIM C 2 - 1/4	MER		09/01/08	1/1	B		
✓	= 125 √	LENGTH	CKD.		DATE	SHEET 1 OF 1			
INCHES DO NOT MM SCALE		BREAK OR CHAMFER EDGES AND CDRNS 1/64-1/32 UNLESS SPEC.							



TOLERANCES UNLESS NOTED:		- NOTICE - TO ALL PERSONS RECEIVING THIS DRAWING			QTY/UNIT 1	REV	ECO#	REVISIONS	DRAWN BY	DATE	APPROVED
ANGULAR:	± 2'	THIS DRAWING CONTAINS CONFIDENTIAL AND PROPRIETARY INFORMATION AND IS ISSUED IN CONFIDENCE ON THE CONDITION THAT IT BE RETURNED ON DEMAND AND NOT BE COPIED, REPRODUCED, DISCLOSED TO OTHERS OR USED WITHOUT WRITTEN CONSENT.	MAT'L	1/16 PLYWOOD	TITLE		REAR UPPER PILOT HOUSE				
LINEAR:			SHAPE		ADD FINISH		UNIT ITEM # 58				
1 PLACE DECIMAL	± 1/8		DIM A	1/16	PART NO.		008-04				
2 PLACE DECIMAL	± 1/16		DIM B	2 - 1/2	SCALE		1/1				
3 PLACE DECIMAL	± 1/32	DIM C	3	HEAT TREAT		DET./DES.	DATE	09/01/08	SIZE	B	SHEET 1 OF 1
✓	= 125 v	LENGTH				CKD.	DATE				REV
INCHES MM		DO NOT SCALE	BREAK OR CHAMFER EDGES AND CORNERS 1/64-1/32 UNLESS SPEC.								



TOLERANCES UNLESS NOTED:		- NOTICE - TO ALL PERSONS RECEIVING THIS DRAWING		QTY/UNIT 1	REV	ECO#	REVISIONS	DRAWN BY	DATE	APPROVED
ANGULAR:	± 2'	THIS DRAWING CONTAINS CONFIDENTIAL AND PROPRIETARY INFORMATION AND IS ISSUED IN CONFIDENCE ON THE CONDITION THAT IT BE RETURNED ON DEMAND AND NOT BE COPIED, REPRODUCED, DISCLOSED TO OTHERS OR USED WITHOUT WRITTEN CONSENT.		MAT'L 1/4 BALSA	TITLE		ROOF UPPER PILOT HOUSE			
LINEAR:				SHAPE	ADD FINISH		UNIT ITEM # 59			
1 PLACE DECIMAL	± 1/8			DIM A 1/4			PART NO. 008-05			
2 PLACE DECIMAL	± 1/16			DIM B 3 - 3/4			SIZE			
3 PLACE DECIMAL	± 1/32			DIM C 3 - 3/4			SCALE			
✓	= 125 v			LENGTH			1/1			
	INCHES MM	DO NOT SCALE		HEAT TREAT	DET./DES MER	DATE 09/01/08	SIZE			
BREAK OR CHAMFER EDGES AND CORNERS 1/64-1/32 UNLESS SPEC.					CKD.	DATE	B		SHEET 1 OF 1	



TOLERANCES UNLESS NOTED:		- NOTICE - TO ALL PERSONS RECEIVING THIS DRAWING		QTY/UNIT	B	REV	ECO#	REVISIONS	DRAWN BY	DATE	APPROVED
ANGULAR:	± 2'	THIS DRAWING CONTAINS CONFIDENTIAL AND PROPRIETARY INFORMATION AND IS ISSUED IN CONFIDENCE ON THE CONDITION THAT IT BE RETURNED ON DEMAND AND NOT BE COPIED, REPRODUCED, DISCLOSED TO OTHERS OR USED WITHOUT WRITTEN CONSENT.		MAT'L	1/16 PLYWOOD	TITLE		DOORS			
LINEAR:				SHAPE		ADD FINISH					
1 PLACE DECIMAL	± 1/8			DIM A	1/16			ITEM #	58		
2 PLACE DECIMAL	± 1/16			DIM B	3/4			PART NO.			
3 PLACE DECIMAL	± 1/32			DIM C	1 - 1/2	LENGTH		009-03			
✓	= 125 v			HEAT TREAT		DET./DES MER	DATE 09/01/08	SCALE	SIZE	SHEET	REV
	INCHES MM	DO NOT SCALE				CKD.	DATE	1/1	B	1	OF 1
BREAK OR CHAMFER EDGES AND CDRNS 1/64-1/32 UNLESS SPEC.											